

## iQ500, Telescopic cooker hood, 90 cm, Stainless steel LI97SA561B

B



For clean lines the powerful telescopic cooker hood disappears into an upper cabinet, perfect for modern kitchens.

- ✓ The quiet high-performance motor: ensures efficient odour and steam removal.
- ✓ LED lights: for optimal visibility and ambience while cooking.
- ✓ Calm the cooking process -#Extremely quiet
- ✓ Fast-acting extraction for sudden bursts of steam - Intensive Setting

### Features

#### Technical Data

Typology : Pull-out  
 Approval certificates : CE, VDE  
 Length of electrical supply cord (cm) : 175  
 Required niche size for installation (HxWxD) : 385mm x 524.0mm x 290mm  
 Minimum distance above an electric hob : 430  
 Minimum distance above a gas hob : 650  
 Net weight (kg) : 15.077  
 Type of control : Electronic  
 Number of speed settings : 3-stage + 2 intensive  
 Maximum output air extraction (m<sup>3</sup>/h) : 395  
 Boost position output recirculating (m<sup>3</sup>/h) : 641  
 Maximum output recirculating air (m<sup>3</sup>/h) : 358  
 Boost position air extraction (m<sup>3</sup>/h) : 700  
 Number of lights (Stck) : 3  
 Noise level (dB(A) re 1 pW) : 53  
 Diameter of air outlet (mm) : 120 / 150  
 Grease filter material : Washable stainless steel  
 EAN code : 4242003880289  
 Connection rating (W) : 146  
 Fuse protection (A) : 10  
 Voltage (V) : 220-240  
 Frequency (Hz) : 50; 60  
 Plug type : GB plug  
 Installation type : Built-in

### Optional accessories

LZ49601	Lowering frame
LZ49200	Installation kit for 90cm wide wall unit
LZ45650	Standard recirculation kit
LZ45610	Standard odor filter (replacement)
LZ11IXC16	Clean Air Plus recirc. kit external
LZ11IXB16	Clean Air Plus odor filter (replacement)
LZ11ITD11	Long Life recirculation kit external
LZ10ITP00	



## iQ500, Telescopic cooker hood, 90 cm, Stainless steel LI97SA561B

### Features

#### Features

- Soft touch button control with 7-segment display
- 3 power levels and 2 intensive settings
- softLight with dimmer function
- 3 x 1,5W LED
- Efficient BLDC motor
- Automatic intensive revert (6mins)
- Automatic after running (Automatic after running (10 minutes))
- 3 x metal grease filter cassettes - dishwasher safe
- Grease and charcoal filter saturation indicators

#### Design

- 90 cm wide
- Stainless Steel
- Handle strip specification: stainless steel with logo
- 
- Steel filter cover

#### Performance

- Suitable for ducted and re-circulating operation
- For recirculated extraction recirculating kit or CleanAir recirculating kit (accessory) needed
- Energy Efficiency Class: B (at a range of energy efficiency classes from A+++ to D)
- Extraction rate according to EN 61591 ø 15 cm:
- max. Normal use 395 m<sup>3</sup>/h
- Intensive 700 m<sup>3</sup>/h
- Noise level according to EN 60704-3 and EN 60704-2-13 at max. normal use exhaust air: 53 dB(A) re 1 pW
- Noise level according to EN 60704-3 and EN 60704-2-13 exhaust air:
- Max. normal use: 53 dB(A) re 1 pW
- Intensive: 69 dB(A) re 1 pW
- With the Clean Air Plus recirculation kit (available as optional accessory) your appliances reaches:
- Extraction rate in recirculation mode:
- Max. normal use: 358 m<sup>3</sup>/h
- Intensive: 641 m<sup>3</sup>/h
- Noise level in recirculation mode:
- Max. normal use: 60 dB(A) re 1 pW
- Intensive: 71 dB(A) re 1 pW
- Colour Temperature: 3500 K
- Light Intensity: 355 lux
- Power rating: 146 W
- Average Energy Consumption: 38.8 kWh/year\*
- Blower Efficiency Class: B\*
- Lighting Efficiency Class: A\*
- Grease Filtering Efficiency Class: B\*

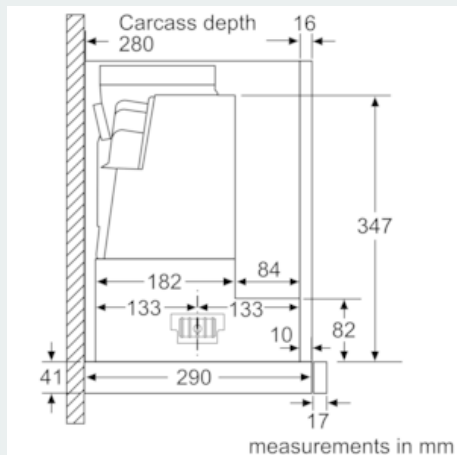
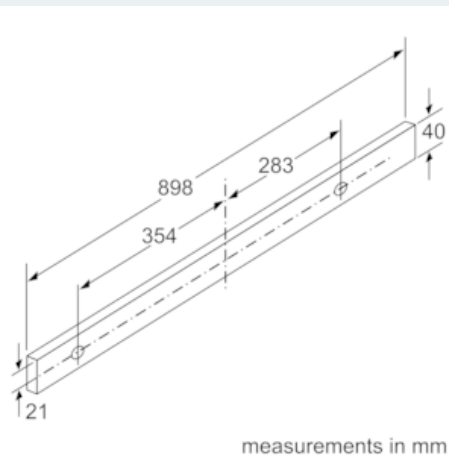
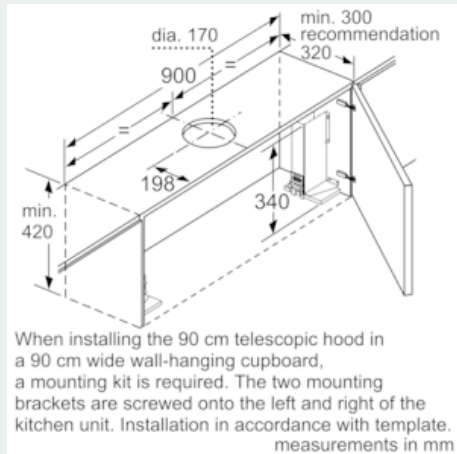
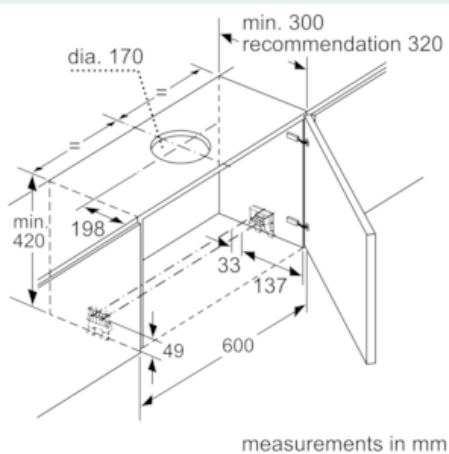
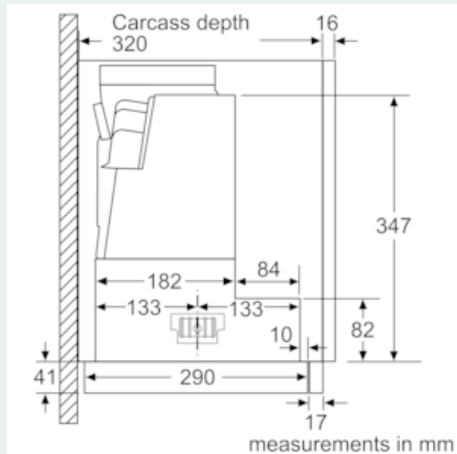
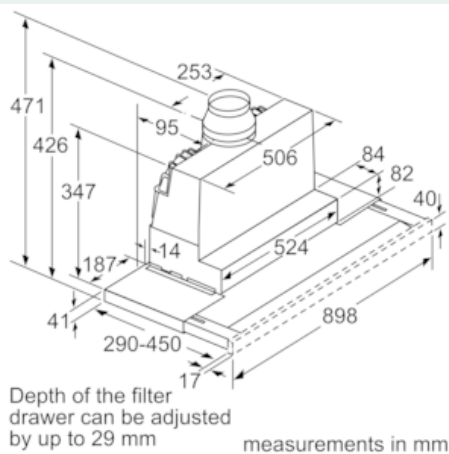
#### Planning and installation information

- Installation system: Telescopic comfort installat.
- Dimensions (HxWxD): 426 x 898 x 290 mm
- Built-in dimensions (HxWxD): 385 x 524 x 290 mm
- Diameter pipe Ø 150 mm (Ø 120 mm enclosed)
- Electrical cable length 1.75 m

\* In accordance with the EU-Regulation No 65/2014

## iQ500, Telescopic cooker hood, 90 cm, Stainless steel LI97SA561B

### Dimensioned drawings



iQ500, Telescopic cooker hood, 90 cm,  
Stainless steel  
LI97SA561B

Dimensioned drawings

