

## iQ500, Ceiling cooker hood, 90 cm, Stainless steel LR97CAP21B

B



The high-performance ceiling hood with specially designed motor housing for installation between ceiling joists.

- ✓ LED lights: For optimal visibility and ambience when cooking.
- ✓ Intensive setting starts automatically when you need it – Intensive setting with automatic revert.
- ✓ For peak performance - Intensive setting with automatic revert

### Features

#### Technical Data

Approval certificates : NEMKO  
 Length of electrical supply cord (cm) : 130  
 Required niche size for installation (HxWxD) : 195mm x 410.0mm x 410mm  
 Height of product, without chimney (mm) : 60  
 Minimum distance above an electric hob : 650  
 Minimum distance above a gas hob : 900  
 Net weight (kg) : 17.600  
 Type of control : Electronic  
 Maximum output air extraction (m<sup>3</sup>/h) : 400  
 Boost position output recirculating (m<sup>3</sup>/h) : 588.0  
 Boost position air extraction (m<sup>3</sup>/h) : 690  
 Number of lights (Stck) : 4  
 Noise level (dB(A) re 1 pW) : 65  
 Diameter of air outlet (mm) : 150  
 Grease filter material : Washable aluminium  
 EAN code : 4242003866061  
 Connection rating (W) : 284  
 Current (A) : KSA  
 Voltage (V) : 220-240  
 Frequency (Hz) : 50  
 Plug type : GB plug  
 Installation type : Island

### Optional accessories

LZ21JXC51 Clean Air Standard recirc. kit ext. inox  
 LZ21JXC21 Clean Air Stand. recirc. kit ext. white  
 LZ21JCB11 Clean Air Standard odor filter (repl.)



## iQ500, Ceiling cooker hood, 90 cm, Stainless steel LR97CAP21B

### Features

#### Key performance features:

- Energy Efficiency Class: B (at a range of energy efficiency classes from A+++ to D)
- Extraction rate according to EN 61591 ø 15 cm: max. Normal use 400 m<sup>3</sup>/h Intensive 690 m<sup>3</sup>/h
- Noise max. Normal Level: Noise, max. speed in normal us: 65 dB dB\*

#### Features

- 3 x power levels plus intensive setting
- Automatic intensive revert
- 4 x LED 2,2W
- softLight with dimmer function
- Infrared remote control
- Steel filter cover
- 2 x metal grease filter cassettes
- Grease and charcoal filter saturation indicators
- Rim ventilation

#### Design

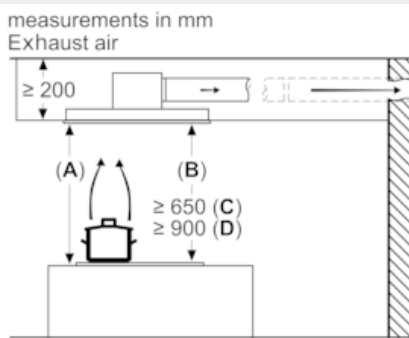
- Filter cover stainless steel, perforated and dishwasher safe
- Easy to clean inner frame in stainless steel
- For ceiling mounted installation

#### Performance/technical information

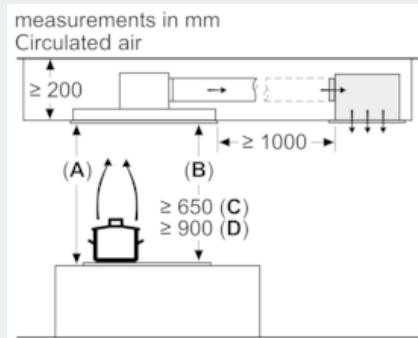
- Suitable for ducted and re-circulating operation
- For recirculated extraction CleanAir recirculating kit (accessory) needed
- Max. extraction rate: 680 m<sup>3</sup>/h
- Noise level according to EN 60704-3 and EN 60704-2-13 exhaust air: Max. normal use: 65 dB(A) re 1 pW Intensive: 73 dB(A) re 1 pW
- With the Clean Air Standard recirculation kit (available as optional accessory) your appliances reaches: Extraction rate in recirculation mode: Max. normal use: 423 m<sup>3</sup>/h Intensive: 588 m<sup>3</sup>/h Noise level in recirculation mode with Clean Air Standard odor filter : Max. normal use: 69 dB(A) re 1 pW Intensive: 74 dB(A) re 1 pW
- Power rating: 284 W
- Light Intensity: 366 lux
- Colour Temperature: 4000 K
- Electrical cable length 1.3 m
- Blower Efficiency Class: B\*
- Lighting Efficiency Class: A\*
- Grease Filtering Efficiency Class: C\*
- Average Energy Consumption: 62.6 kWh/year\*
- Rotatable motor: possible to position the air outlet on all four sides
- Extractor hose 150 mm
- Dimensions (WxD): 900 x 440 mm
- built-in dimensions (HxWxD): 195 x 410 x 410 mm

## iQ500, Ceiling cooker hood, 90 cm, Stainless steel LR97CAP21B

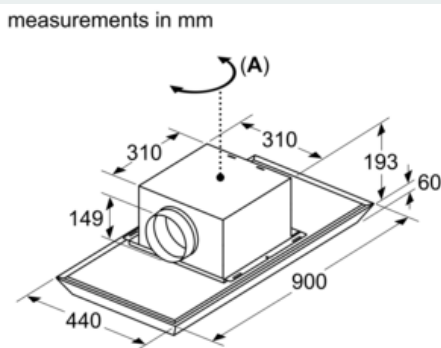
### Dimensioned drawings



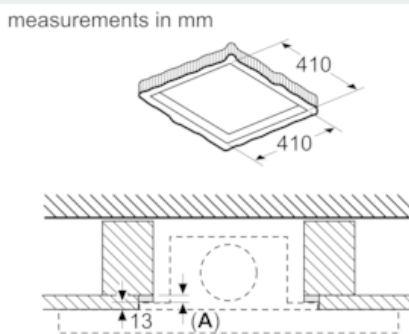
- A: Optimum performance 700-1500
- B: From upper edge of pan support
- C: Electric
- D: Gas



- A: Optimum performance 700-1500
- B: From upper edge of pan support
- C: Electric
- D: Gas



- A: The fan outlet can be turned in all four directions



- A: If required, even out the ceiling thickness to 13 mm using wooden spacers.