

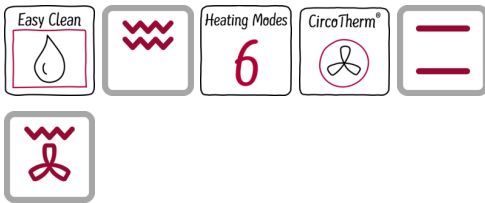
N 50  
OVEN  
B1ACE4HNOB



COOKING PASSION SINCE 1877



A



Built-in oven with CircoTherm® - The award-winning hot air system from Neff

- ✓ CircoTherm® - the unique hot air-system for simultaneous baking and roasting on up to 3 levels
- ✓ EasyClean® - this special cleaning aid provides uncomplicated, energy-saving cleaning of the oven interior.
- ✓ An environment-saving option for fast oven cleaning.
- ✓ Clip-on Rail - easily removed and installed telescopic rails for flexible use on all shelf levels
- ✓ Hinged door

#### Features

##### Technical Data

Color / Material Front : Stainless steel  
 Construction type : Built-in  
 Integrated Cleaning system : Hydrolytic  
 Required niche size for installation (HxWxD) : 585-595 x 560-568 x 550  
 Dimensions of the product (mm) : 595 x 594 x 548  
 Dimensions of the packed product (HxWxD) (mm) : 675 x 690 x 660  
 Control Panel Material : Glass  
 Door Material : Glass  
 Net weight (kg) : 32.3  
 Usable volume of cavity (l) : 71  
 Cooking method : Conventional heat, Full width grill, Heißluft sanft, Hot Air, Hot air grilling, Pizza setting  
 First cavity material : Other  
 Temperature control : No control of the temperature  
 Number of interior lights : 1  
 Approval certificates : CE, VDE  
 Length of electrical supply cord (cm) : 120  
 EAN code : 4242004225034  
 Number of cavities (2010/30/EC) : 1  
 Energy efficiency class (2010/30/EC) : A  
 Energy consumption per cycle conventional (2010/30/EC) : 0.97  
 Energy consumption per cycle forced air convection (2010/30/EC) : 0.81  
 Energy efficiency index (2010/30/EC) : 95.3  
 Electrical connection rating (W) : 2990  
 Current (A) : 13  
 Voltage (V) : 220-240  
 Frequency (Hz) : 50; 60  
 Plug type : no plug

#### Included accessories

2 x combination grid, 1 x universal pan



4 242004 225034

N 50  
OVEN  
B1ACE4HNOB

## Features

### Design

- Drop down door
- Retractable control dials

### Features

- Control panel lock
- Heating up indicator
- 1 Clip rail, Stop function
- Interior halogen light
- Cavity inner surface: Enamel grey
- Double glazed door

### Programmes/functions

- 6 heating methods: CircoTherm®, Top/bottom heat, Hot air grilling, Full surface grill, CircoTherm® intensive , Hotair gentle
- Manual rapid heating up
- Cooling fan

### Cleaning

- EcoClean Direct : back panel
- EasyClean
- Full glass inner door

### Accessories

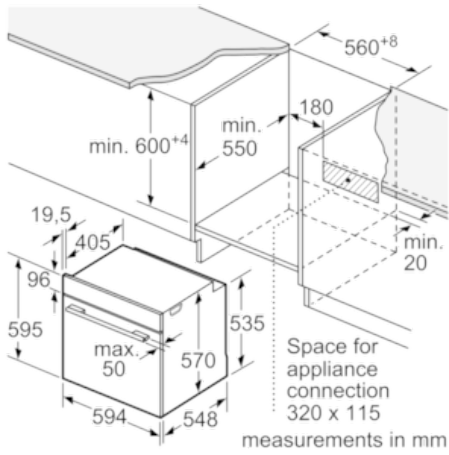
- 1 Clip rail, Stop function
- 2 x combination grid, 1 x universal pan

### Technical information

- Energy efficiency rating (acc. EU Nr. 65/2014): A  
Energy consumption per cycle in conventional mode: 0.97 kwh  
Energy consumption per cycle in fan-forced convection mode:  
0.81 kwh  
Number of cavities: 1  
Heat source: electrical  
Cavity volume: 71 litre
- Temperature range 50 °C - 275 °C
- Length of mains cable: 120 cm
- Nominal voltage: 220 - 240 V
- Total connected load electric: 2.99 KW
- Appliance dimension (hxwx): 595 mm x 594 mm x 548 mm
- Niche dimension (hxwx): 585 mm - 595 mm x 560 mm - 568 mm x 550 mm
- Please refer to the dimensions provided in the installation manual

N 50  
 OVEN  
 B1ACE4HNOB

Dimensioned drawings



Installation with a hob.

