

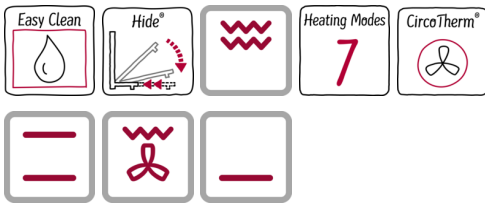
N 50
OVEN
B3ACE4HNOB



COOKING PASSION SINCE 1877



A



Built-in Slide&Hide® oven with fixed handle and fully retracting oven door

- ✓ Slide&Hide® the fully retracting oven door, unrestricted access with fixed handle.
- ✓ CircoTherm® - the unique hot air-system for simultaneous baking and roasting on up to 3 levels
- ✓ EasyClean® - this special cleaning aid provides uncomplicated, energy-saving cleaning of the oven interior.
- ✓ An environment-saving option for fast oven cleaning.
- ✓ Clip-on Rail - easily removed and installed telescopic rails for flexible use on all shelf levels

Features

Technical Data

Color / Material Front : Stainless steel
 Construction type : Built-in
 Integrated Cleaning system : Hydrolytic
 Required niche size for installation (HxWxD) : 585-595 x 560-568 x 550
 Dimensions of the product (mm) : 595 x 594 x 548
 Dimensions of the packed product (HxWxD) (mm) : 670 x 690 x 660
 Control Panel Material : Glass
 Door Material : Glass
 Net weight (kg) : 35.0
 Usable volume of cavity (l) : 71
 Cooking method : Bottom heat, Conventional heat, Full width grill, Heißluft sanft, Hot Air, Hot air grilling, Pizza setting
 First cavity material : Other
 Temperature control : No control of the temperature
 Number of interior lights : 1
 Approval certificates : CE, VDE
 Length of electrical supply cord (cm) : 120
 EAN code : 4242004225164
 Number of cavities (2010/30/EC) : 1
 Energy efficiency class (2010/30/EC) : A
 Energy consumption per cycle conventional (2010/30/EC) : 1.04
 Energy consumption per cycle forced air convection (2010/30/EC) : 0.81
 Energy efficiency index (2010/30/EC) : 95.3
 Electrical connection rating (W) : 2990
 Current (A) : 13
 Voltage (V) : 220-240
 Frequency (Hz) : 60; 50
 Plug type : no plug

Included accessories

2 x combination grid, 1 x universal pan



4 242004 225164

N 50
OVEN
B3ACE4HNOB

Features

Design

- Slide&Hide® with fixed handle
- Retractable control dials

Features

- Control panel lock
- Heating up indicator
- 1 Clip rail, Stop function
- Interior halogen light
- Cavity inner surface: Enamel grey
- Triple glazed door

Cleaning

- EcoClean Direct : back panel
- EasyClean
- Full glass inner door

Programmes/functions

- 7 heating methods: CircoTherm®, Top/bottom heat, Hot air grilling, Full surface grill, CircoTherm® intensive , Bottom heat, Hotair gentle
- Manual rapid heating up
- Cooling fan

Accessories

- 1 Clip rail, Stop function
- 2 x combination grid, 1 x universal pan

Technical information

- Energy efficiency rating (acc. EU Nr. 65/2014): A
Energy consumption per cycle in conventional mode: 1.04 kwh
Energy consumption per cycle in fan-forced convection mode:
0.81 kwh
Number of cavities: 1
Heat source: electrical
Cavity volume: 71 litre
- Temperature range 50 °C - 275 °C
- Length of mains cable: 120 cm
- Nominal voltage: 220 - 240 V
- Total connected load electric: 2.99 KW

Performance/technical information

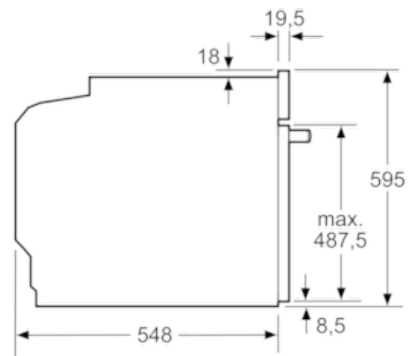
- Appliance dimension (hxwxh): 595 mm x 594 mm x 548 mm
- Niche dimension (hxwxh): 585 mm - 595 mm x 560 mm - 568 mm x 550 mm
- Please refer to the dimensions provided in the installation manual

N 50
OVEN
B3ACE4HNOB

Dimensioned drawings

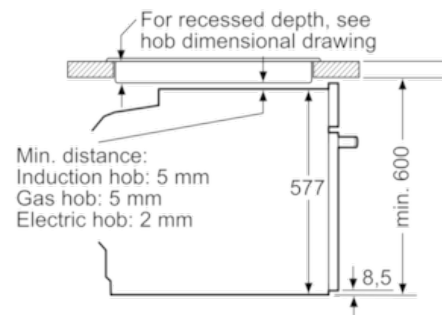
If the appliance will be installed underneath a hob, the following worktop thicknesses (including substructure if necessary) must be taken into account.

Hob type	min. worktop thickness	
	fitted	flush
Induction hob	37 mm	38 mm
Full surface Induction hob	47 mm	48 mm
Gas hob	30 mm	38 mm
Electric hob	27 mm	30 mm

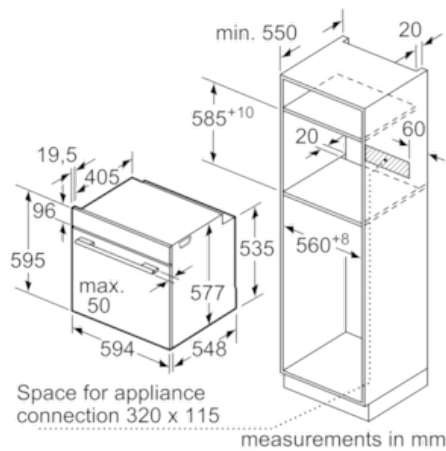


measurements in mm

Installation with a hob.

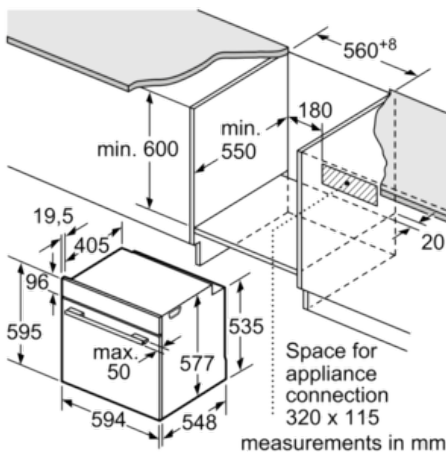


measurements in mm



Space for appliance connection 320 x 115

measurements in mm



Space for appliance connection 320 x 115

measurements in mm