

**Serie | 4**
**Built-in microwave oven  
BEL553MS0B**

**Included accessories**

1 x grid  
1 x Turntable

**The built-in microwave for the 38 cm niche:  
use it for defrosting, heating and the  
perfect preparation of food.**

- **Microwave function:** time saving preparation, defrosting and re-heating of dishes.
- **AutoPilot 8:** every dish is a perfect success thanks to 8 pre-set automatic programmes.
- **Electronic door opening:** comfortable door opening
- **Grill function:** perfect grilling results are quickly and easily achieved thanks to a powerful grill.
- **LED display control, red:** easy-to-use thanks to the time functions.

**Technical Data**

Type of micro-wave oven :	MW+Grill function
Type of control :	Electronic
Color / Material Front :	Stainless steel
Dimensions of the product (mm) :	382 x 594 x 388
Cavity dimensions (mm) :	208.0 x 328.0 x 369.0
Length of electrical supply cord (cm) :	130
Net weight (kg) :	18.845
Gross weight (kg) :	22.0
EAN code :	4242005066292
Maximum micro-wave power (W) :	900
Connection rating (W) :	1450
Current (A) :	10
Voltage (V) :	230-240
Frequency (Hz) :	50
Plug type :	GB plug



4 242005 066292

## Serie | 4 Microwave oven

### **Built-in microwave oven BEL553MS0B**

**The built-in microwave for the 38 cm niche:  
use it for defrosting, heating and the perfect  
preparation of food.**

---

#### **Design**

- LED Display, red display
- Side opening door, left hinged
- Retractable control dials, Start button, Touch controls
- Electronic open button
- Cavity inner surface: Stainless steel
- 31.5 cm Glass turntable

#### **Features**

- AutoPilot  
1 memory setting
- Automatic safety switch off  
Door contact switch
- AutoPilot8
- Automatic programmes
- Electronic clock timer
- LED light
- Integral cooling fan

#### **Programmes/functions**

- Built-in microwave oven with the heating functions:  
Microwave, Quartz grill
- AutoPilot8
- 4 defrost and 3 cooking programmes
- Grill and microwave power levels 90 W, 180 W, 360 W  
combinable
- Max. Power: 900 W; 5 Microwave power settings (90 W,180  
W,360 W,600 W,900 W)

#### **Standard accessories**

- 1 x grid, 1 x Turntable

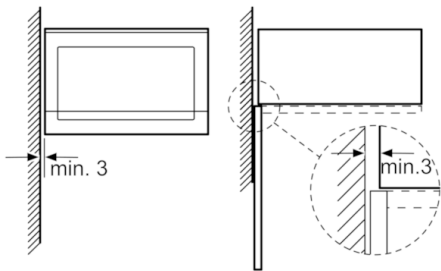
#### **Performance/technical information**

- Cavity volume: 25 l
- Turntable distribution
- Length of mains cable: 130 cm
- Total connected load electric: 1.45 KW
- Nominal voltage: 230 - 240 V
- Appliance dimension (hxwxd): 382 mm x 594 mm x 388 mm
- Niche dimension (hxwxd): 380 mm - 382 mm x 560 mm - 568  
mm x 550 mm
- Please refer to the dimensions provided in the installation  
manual

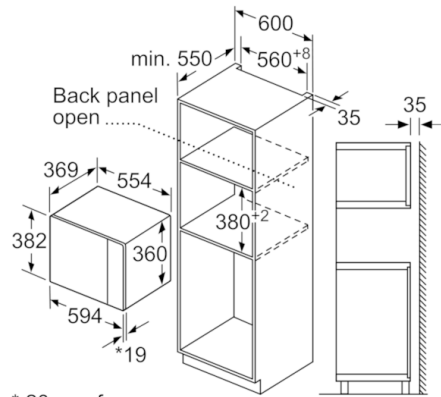
**Serie | 4 Microwave oven**

**Built-in microwave oven  
BEL553MS0B**

Microwave,  
corner installation

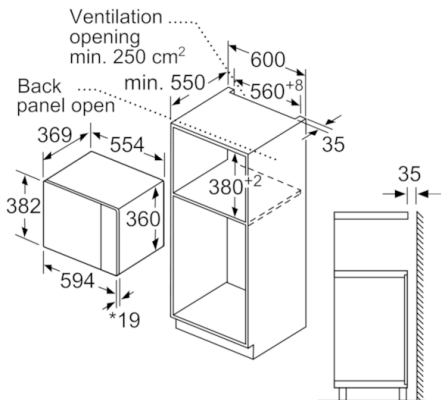


Measurements in mm



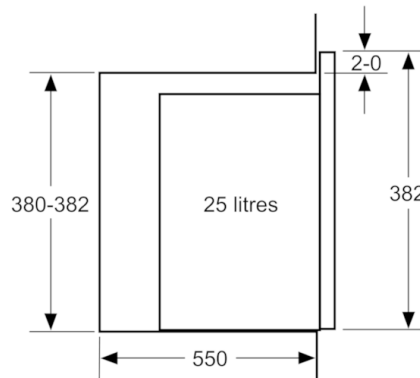
\* 20 mm for  
metal fascia

measurements in mm



\* 20 mm for metal fascia

measurements in mm



measurements in mm