

iQ500
BF555LMS0B
Built-in microwave oven
Brand Value Class: IQ500



38 cm high built-in microwave for defrosting, reheating or preparation of dishes in the shortest possible time.

- ✓ Automatic programs ensure best results.
- ✓ Wattage: time-saving and powerful up to 900 watts.
- ✓ LED-Illumination: ideal energy-efficient illumination.
- ✓ The side-opening hinged door: ideal for elevated installation.

Features

Technical Data

Type of micro-wave oven : MW only
 Type of control : Electronic
 Color / Material Front : Stainless steel
 Dimensions of the product (mm) : 382 x 594 x 388
 Cavity dimensions (mm) : 208.0 x 328.0 x 369.0
 Length of electrical supply cord (cm) : 130
 Net weight (kg) : 17.813
 Gross weight (kg) : 20.0
 EAN code : 4242003805725
 Maximum micro-wave power (W) : 900
 Connection rating (W) : 1450
 Current (A) : 10
 Voltage (V) : 230-240
 Frequency (Hz) : 50
 Plug type : GB plug



Included accessories

1 x Turntable

iQ500**BF555LMS0B****Built-in microwave oven****Brand Value Class: IQ500****Features****Design**

- White display with blue indicator lights
- Start button, touchSlider, Touch control
- Left hinged door
- Electronic door opening button
- Cavity inner surface: Stainless steel
- Smooth enamelled oven interior
- 31.5 cm Glass turntable

Features

- cookControl
- 1 memory setting
- Automatic safety switch off
- Door contact switch
- cookControl7
- Electronic oven clock timer
- LED light
- 31.5 cm Glass turntable
- Integral cooling fan

Programmes/functions

- Additional heating methods with microwave: Microwave
- Microwave may be used separately or in combination
- Max. Power: 900 W; 5 Microwave power settings (90 W,180 W,360 W,600 W,900 W)
- cookControl7
- 4 defrost and 3 cooking programmes

Standard accessories

- 1 x Turntable

Performance/technical information

- Cavity volume: 25 l
- Turntable distribution
- Length of mains cable: 130 cm
- Total connected load electric: 1.45 KW
- Nominal voltage: 230 - 240 V
- Appliance dimension (hxwxd): 382 mm x 594 mm x 388 mm
- Niche dimension (hxwxd): 380 mm - 382 mm x 560 mm - 568 mm x 550 mm
- Please refer to the dimensions provided in the installation manual

iQ500

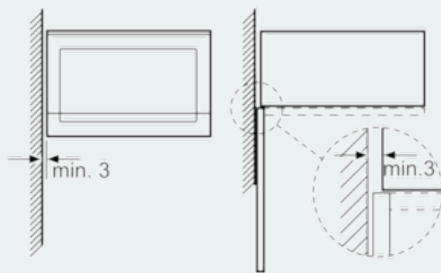
BF555LMS0B

Built-in microwave oven

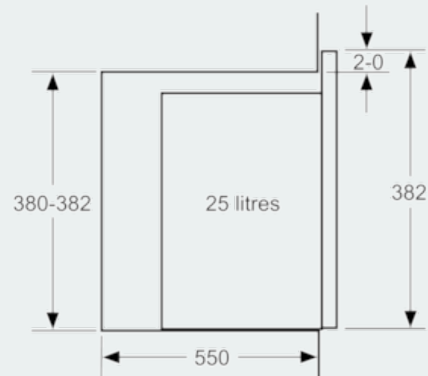
Brand Value Class: IQ500

Dimensioned drawings

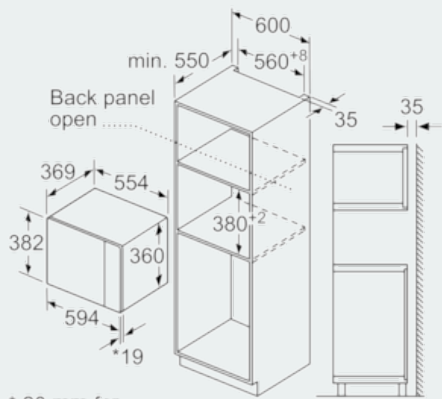
Microwave,
corner installation



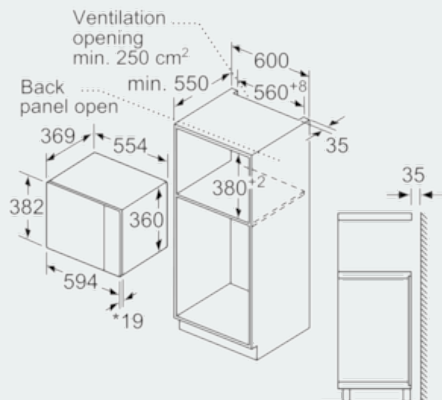
Measurements in mm



measurements in mm



measurements in mm



measurements in mm