

N 30
D51NAA1COB
CANOPY HOOD
53 CM WIDE



D



Canopy hood: designed to fit neatly under an overhead unit or cabinet. They're discreet and effectively use valuable space.

- ✓ LED lighting: a clear illumination whilst cooking thanks to the energy-saving LED lights
- ✓ High extraction rate - for continuously clean air in the kitchen.

Features

Technical Data

Typology : Traditional
 Approval certificates : CE
 Length of electrical supply cord (cm) : 150
 Required niche size for installation (HxWxD) : 208mm x 493mm x 257mm
 Minimum distance above an electric hob : 550
 Minimum distance above a gas hob : 650
 Net weight (kg) : 4.470
 Type of control : mechanical
 Number of speed settings : 3
 Maximum output air extraction (m³/h) : 300
 Maximum output recirculating air (m³/h) : 300
 Number of lights (Stck) : 2
 Noise level (dB(A) re 1 pW) : 61
 Diameter of air outlet (mm) : 120
 Grease filter material : Washable aluminium
 EAN code : 4242004234432
 Connection rating (W) : 121
 Current (A) : 5
 Voltage (V) : 220-240
 Frequency (Hz) : 50
 Plug type : GB plug
 Installation type : Built-in

Optional accessories

Z51INT0X0 Recirculating kit



N 30
D51NAA1COB
CANOPY HOOD
53 CM WIDE

Features

Key performance features:

- Energy Efficiency Class: D (at a range of energy efficiency classes from A++ to E)*
- Max. extraction rate: 300 m³/h
- Noise max. Normal Level: 61 dB*

Features

- Slide control operation
- 3 power levels
- 2 x 3W LED
- Colour Temperature: 2700 K
- 1 metal grease filter cassette
- For installation in a kitchen cabinet

Design

- Canopy hood
- Slide control operation
- Mechanical controls

Performance/technical information

- Suitable for ducted extraction and recirculation
- For recirculated extraction recirculating kit (accessory) needed
- Extraction rate according to EN 61591: max. 300 m³/h
- Noise level according to EN 60704-3 and EN 60704-2-13 at maximum normal setting: extraction rate: 61 dB(A) re 1 pW (47 dB(A) re 20 µPa sound pressure)
- Noise level according to EN 60704-3 and EN 60704-2-13 at maximum normal setting: extraction rate: 61 dB (A) re 1pW
- Noise max. Normal Level: 61 dB*
- Power rating: 121 W
- Light Intensity: 78 lux
- Colour Temperature: 2700 K
- Electrical cable length 1.5 m
- Diameter pipe Ø 120 mm (Ø 120 mm enclosed)
- Dimensions exhaust air (HxWxD): 208-208 x 534 x 300 mm
- Dimensions recirculating (HxWxD): 208-208 x 534 x 300 mm
- Mounting dimensions: width: 49 cm, depth: 26 cm
- Energy Efficiency Class: D (at a range of energy efficiency classes from A++ to E)*
- Blower Efficiency Class: E*
- Lighting Efficiency Class: D*
- Grease Filtering Efficiency Class: D*
- Average Energy Consumption: 66.7 kWh/year*

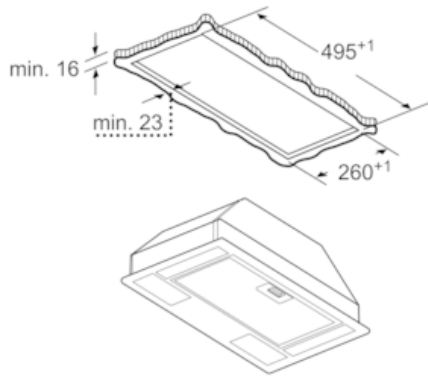
Optional accessories

- Recirculating kit

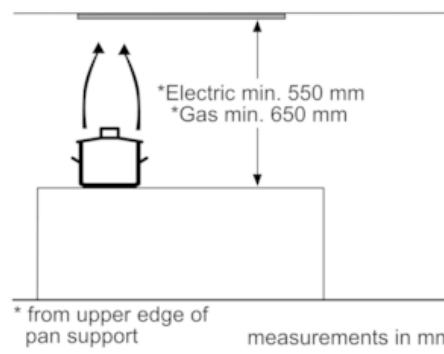
* In accordance with the EU-Regulation No 65/2014

N 30
 D51NAA1COB
 CANOPY HOOD
 53 CM WIDE

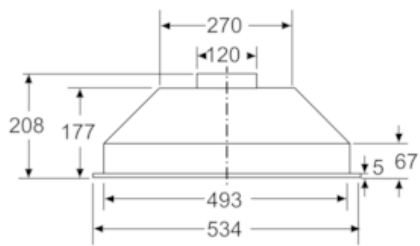
Dimensioned drawings



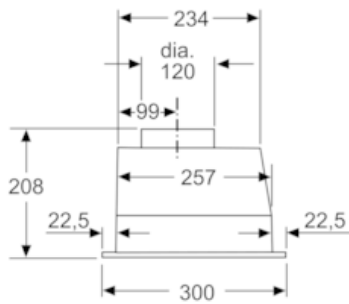
measurements in mm



* from upper edge of pan support
 *Electric min. 550 mm
 *Gas min. 650 mm
 measurements in mm



measurements in mm



measurements in mm