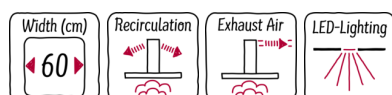


N 30  
 D62PBCONOB  
 PYRAMID  
 CHIMNEY HOOD  
 STAINLESS STEEL  
 60 CM WIDE



C



The pyramid hood is a traditionally designed hood and a trademark design of our collections.

✓ LED lighting: a clear illumination whilst cooking thanks to the energy-saving LED lights

#### Features

##### Technical Data

Color chimney : Stainless steel  
 Typology : Chimney  
 Approval certificates : CE, VDE  
 Length of electrical supply cord (cm) : 130  
 Height of the chimney (mm) : 553-730/573-730  
 Height of product, without chimney (mm) : 246  
 Minimum distance above an electric hob : 550  
 Minimum distance above a gas hob : 650  
 Net weight (kg) : 8.0  
 Type of control : mechanical  
 Number of speed settings : 3  
 Maximum output air extraction (m<sup>3</sup>/h) : 360  
 Maximum output recirculating air (m<sup>3</sup>/h) : 200  
 Number of lights (Stck) : 2  
 Noise level (dB(A) re 1 pW) : 66  
 Diameter of air outlet (mm) : 150 / 120  
 Grease filter material : Washable aluminium  
 EAN code : 4242004221302  
 Connection rating (W) : 100  
 Current (A) : 10  
 Voltage (V) : 220-240  
 Frequency (Hz) : 60; 50  
 Plug type : GB plug  
 Installation type : Wall-mounted



4 242004 221302

#### Optional accessories

Z5138X1	Active carbon filter
Z5138X5	Recirculating kit
Z5860N0	Back panel stainless steel
Z5865N0	Stainless steel back panel
Z5904N0	Chimney extension 500 mm
Z5904N5	Chimney extension 750 mm

N 30  
D62PBCONOB  
PYRAMID  
CHIMNEY HOOD  
STAINLESS STEEL  
60 CM WIDE

## Features

### Key performance features:

- Energy Efficiency Class: C (at a range of energy efficiency classes from A++ to E)\*
- Max. extraction rate: 360 m<sup>3</sup>/h
- Noise max. Normal Level: 66 dB\*

### Features

- Push button control operation
- 3 power levels
- 2 x 1.5w LED Light
- Colour Temperature: 3500 K
- 2 metal grease filter cassettes
- For wall mounted installation

### Design

- Stainless steel
- Pyramid
- Chimney hood
- Push button control operation
- Mechanical controls

### Performance/technical information

- Suitable for ducted extraction and recirculation
- For recirculated extraction recirculating kit (accessory) needed
- Max. extraction rate: 360 m<sup>3</sup>/h
- Maximum extraction rate exhaust air 360 m<sup>3</sup>/h according to EN 61591
- Extraction rate in recirculation mode:  
Max. normal use: 200 m<sup>3</sup>/h
- Noise max. Normal Level: 66 dB\*
- Noise level according to EN 60704-3 and EN 60704-2-13 at max. normal use exhaust air: 66 dB(A) re 1 pW (54 dB(A) re 20 µPa sound pressure)
- Noise level in recirculation mode:  
Max. normal use: 67 dB(A) re 1 pW (55 dB(A) re 20 µPa sound pressure)
- Power rating: 100 W
- Light Intensity: 104 lux
- Colour Temperature: 3500 K
- Electrical cable length 1.3 m
- Diameter pipe Ø 150 mm (Ø 120 mm enclosed)
- Dimensions exhaust air (HxWxD): 799-975 x 600 x 500 mm
- Dimensions recirculating (HxWxD): 799-975 x 600 x 500 mm
- Energy Efficiency Class: C (at a range of energy efficiency classes from A++ to E)\*
- Blower Efficiency Class: E\*
- Lighting Efficiency Class: A\*
- Grease Filtering Efficiency Class: C\*
- Average Energy Consumption: 51.4 kWh/year\*

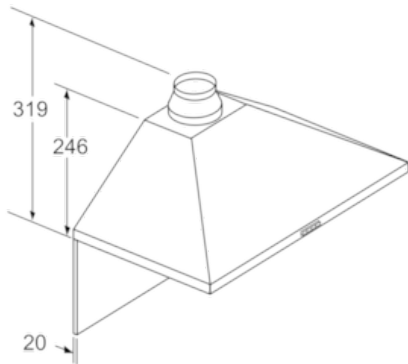
### Optional accessories

- Recirculating kit Z5138X5

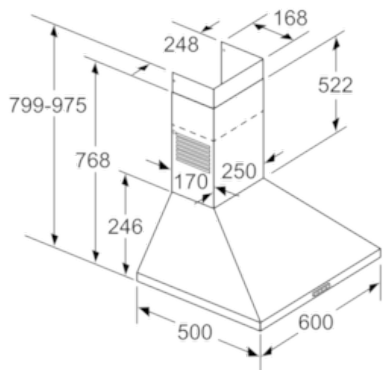
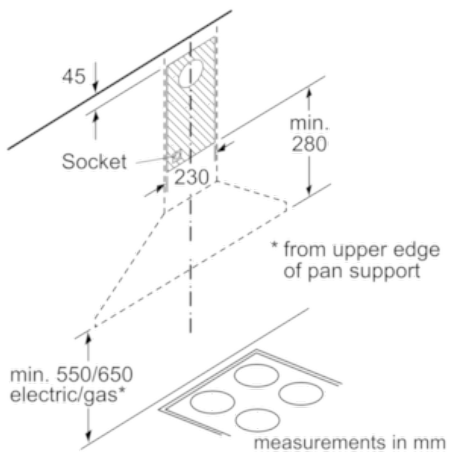
\* In accordance with the EU-Regulation No 65/2014

N 30  
 D62PBCONOB  
 PYRAMID  
 CHIMNEY HOOD  
 STAINLESS STEEL  
 60 CM WIDE

Dimensioned drawings



If a back panel is used,  
 the design of the appliance  
 must be considered. measurements in mm



measurements in mm