

N 50  
 D64AFM1NOB  
 GLASS DESIGN  
 CHIMNEY HOOD  
 STAINLESS STEEL  
 60 CM WIDE



A



The curved glass canopy hood combines two design styles: transparent glass as well as the classic box hood design.

- ✓ LED lighting: a clear illumination whilst cooking thanks to the energy-saving LED lights
- ✓ TouchControl: thanks to the integrated flat surface of the control panel, adjustments can be easily made with just one finger
- ✓ Intensive speed setting: increases the extraction rate when the steam gets intense
- ✓ CleanAir: nothing but clean air thanks to the premium recirculation filter with high odour reduction (ca. 95%)
- ✓ High extraction rate: Ensures a clear view while cooking thanks to efficient motor technology as either a ducted or recirculating solution.

#### Features

##### Technical Data

Color chimney : Stainless steel  
 Typology : Chimney  
 Approval certificates : CE, VDE  
 Length of electrical supply cord (cm) : 130  
 Height of the chimney (mm) : 576-897/576-1007  
 Height of product, without chimney (mm) : 50  
 Minimum distance above an electric hob : 550  
 Minimum distance above a gas hob : 650  
 Net weight (kg) : 13.2  
 Type of control : Electronic  
 Maximum output air extraction (m<sup>3</sup>/h) : 390  
 Boost position output recirculating (m<sup>3</sup>/h) : 350  
 Maximum output recirculating air (m<sup>3</sup>/h) : 290  
 Boost position air extraction (m<sup>3</sup>/h) : 600  
 Number of lights (Stck) : 2  
 Noise level (dB(A) re 1 pW) : 59  
 Diameter of air outlet (mm) : 120 / 150  
 Grease filter material : Washable aluminium  
 EAN code : 4242004224020  
 Connection rating (W) : 220  
 Current (A) : 10  
 Voltage (V) : 220-240  
 Frequency (Hz) : 60; 50  
 Plug type : GB plug  
 Installation type : Wall-mounted

#### Optional accessories

Z50XP0X0	CleanAir act.carbon filter regenerative
Z5170X1	CleanAir active carbon filter spare part
Z5270X0	CleanAir Recirculation Kit
Z5860N0	Back panel stainless steel
Z5865N0	Stainless steel back panel
Z5905N0	Chimney extension 1000 mm
Z5915N0	Chimney extension 1500 mm



4 242004 224020

N 50  
D64AFM1NOB  
GLASS DESIGN  
CHIMNEY HOOD  
STAINLESS STEEL  
60 CM WIDE

## Features

### Key performance features:

- Energy Efficiency Class: A (at a range of energy efficiency classes from A++ to E)\*
- Extraction rate according to EN 61591 ø 15 cm:  
max. Normal use 390 m<sup>3</sup>/h  
Intensive 600 m<sup>3</sup>/h
- Noise max. Normal Level: 59 dB\*

### Features

- Touch control
- LED display
- 3 speeds plus intensive
- 2 x 1.5w LED Light
- Colour Temperature: 3500 K
- Automatic intensive revert (6mins)
- 1 metal grease filter cassette
- For wall mounted installation

### Design

- Stainless steel
- Glass design
- Chimney hood
- Touch control
- Electronic controls

### Performance/technical information

- Suitable for ducted extraction and recirculation
- For recirculated extraction recirculating kit or CleanAir recirculating kit (accessory) needed
- Extraction rate according to EN 61591 ø 15 cm:  
max. Normal use 390 m<sup>3</sup>/h  
Intensive 600 m<sup>3</sup>/h
- Max. extraction rate: 600 m<sup>3</sup>/h
- Extraction rate in recirculation mode:  
Max. normal use: 290 m<sup>3</sup>/h  
Intensive: 350 m<sup>3</sup>/h
- Noise level according to EN 60704-3 and EN 60704-2-13 at max. normal use exhaust air: 59 dB(A) re 1 pW (47 dB(A) re 20 µPa sound pressure)
- Noise level according to EN 60704-3 and EN 60704-2-13 exhaust air:  
Max. normal use: 59 dB(A) re 1 pW (47 dB(A) re 20 µPa sound pressure)  
Intensive: 69 dB(A) re 1 pW (57 dB(A) re 20 µPa sound pressure)
- Noise level according to EN 60704-3 and EN 60704-2-13 at maximum normal setting: extraction rate: 59 dB (A) re 1pW
- Noise max. Normal Level: 59 dB\*
- Noise levels in recirculation mode:  
Max. normal use: 71 dB(A) re 1 pW (59 dB(A) re 20 µPa sound pressure)  
Intensive: 75 dB(A) re 1 pW (63 dB(A) re 20 µPa sound pressure)
- Power rating: 220 W
- Light Intensity: 285 lux
- Colour Temperature: 3500 K
- Electrical cable length 1.3 m
- Diameter pipe ø 150 mm (ø 120 mm enclosed)
- Dimensions exhaust air (HxWxD): 617-947 x 600 x 488 mm
- Dimensions recirculating (HxWxD): 617-1057 x 600 x 488 mm
- Dimensions recirculating with CleanAir module (HxWxD):  
686 x 600 x 488 mm - mounting with outer chimney  
815-1145 x 600 x 488 mm - mounting with telescopic chimney
- Energy Efficiency Class: A (at a range of energy efficiency classes from A++ to E)\*
- Blower Efficiency Class: A\*
- Lighting Efficiency Class: A\*
- Grease Filtering Efficiency Class: B\*
- Average Energy Consumption: 42.6 kWh/year\*

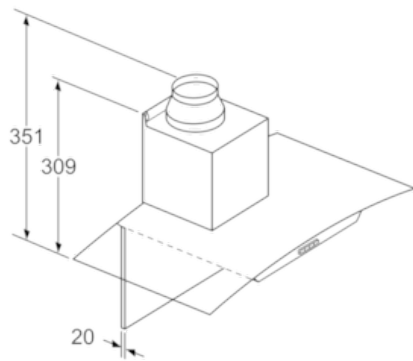
### Optional accessories

- Recirculating kit Z5270X0

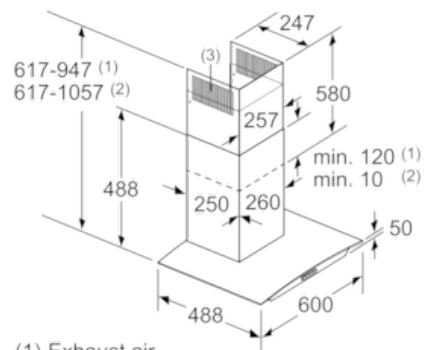
\* In accordance with the EU-Regulation No 65/2014

N 50  
 D64AFM1NOB  
 GLASS DESIGN  
 CHIMNEY HOOD  
 STAINLESS STEEL  
 60 CM WIDE

Dimensioned drawings



If a back panel is used, the design of the appliance must be considered. measurements in mm



(1) Exhaust air  
 (2) Circulated air  
 (3) Air outlet – slots for exhaust air to be mounted facing down measurements in mm

