

N 30
 D64GBCNOB
 GLASS DESIGN
 CHIMNEY HOOD
 STAINLESS STEEL
 60 CM WIDE



A



The flat glass canopy hood accentuates the box hood design with a mix of modern materials and straight lines.

- ✓ LED lighting: a clear illumination whilst cooking thanks to the energy-saving LED lights
- ✓ CleanAir: nothing but clean air thanks to the premium recirculation filter with high odour reduction (ca. 95%)
- ✓ High extraction rate: Ensures a clear view while cooking thanks to efficient motor technology as either a ducted or recirculating solution.

Features

Technical Data

Color chimney : Stainless steel
 Typology : Chimney
 Approval certificates : CE, VDE
 Length of electrical supply cord (cm) : 130
 Height of the chimney (mm) : 576-906/576-998
 Height of product, without chimney (mm) : 59
 Minimum distance above an electric hob : 550
 Minimum distance above a gas hob : 650
 Net weight (kg) : 13.5
 Type of control : mechanical
 Number of speed settings : 3
 Maximum output air extraction (m³/h) : 620
 Maximum output recirculating air (m³/h) : 360
 Number of lights (Stck) : 2
 Noise level (dB(A) re 1 pW) : 70
 Diameter of air outlet (mm) : 150 / 120
 Grease filter material : Washable aluminium
 EAN code : 4242004224051
 Connection rating (W) : 220
 Current (A) : 10
 Voltage (V) : 220-240
 Frequency (Hz) : 50; 60
 Plug type : GB plug
 Installation type : Wall-mounted

Optional accessories

Z50XP0X0	CleanAir act.carbon filter regenerative
Z5170X1	CleanAir active carbon filter spare part
Z5270X0	CleanAir Recirculation Kit
Z5860N0	Back panel stainless steel
Z5865N0	Stainless steel back panel
Z5905N0	Chimney extension 1000 mm
Z5915N0	Chimney extension 1500 mm



N 30
D64GBCONOB
GLASS DESIGN
CHIMNEY HOOD
STAINLESS STEEL
60 CM WIDE

Features

Key performance features:

- Energy Efficiency Class: A (at a range of energy efficiency classes from A++ to E)*
- Max. extraction rate: 620 m³/h
- Noise max. Normal Level: 70 dB*

Features

- Push button control operation
- 3 power levels
- 2 x 1.5w LED Light
- Colour Temperature: 3500 K
- 1 metal grease filter cassette
- For wall mounted installation

Design

- Stainless steel
- Glass design
- Chimney hood
- Push button control operation
- Mechanical controls

Performance/technical information

- Suitable for ducted extraction and recirculation
- For recirculated extraction recirculating kit or CleanAir recirculating kit (accessory) needed
- Max. extraction rate: 620 m³/h
- Maximum extraction rate exhaust air 620 m³/h according to EN 61591
- Extraction rate in recirculation mode:
Max. normal use: 360 m³/h
- Noise max. Normal Level: 70 dB*
- Noise level according to EN 60704-3 and EN 60704-2-13 at max. normal use exhaust air: 70 dB(A) re 1 pW (58 dB(A) re 20 µPa sound pressure)
- Noise level in recirculation mode:
Max. normal use: 75 dB(A) re 1 pW (63 dB(A) re 20 µPa sound pressure)
- Power rating: 220 W
- Light Intensity: 110 lux
- Colour Temperature: 3500 K
- Electrical cable length 1.3 m
- Diameter pipe Ø 150 mm (Ø 120 mm enclosed)
- Dimensions exhaust air (HxWxD): 635-965 x 600 x 525 mm
- Dimensions recirculating (HxWxD): 635-1075 x 600 x 525 mm
- Dimensions recirculating with CleanAir module (HxWxD):
703 x 600 x 525 mm - mounting with outer chimney
833-1163 x 600 x 525 mm - mounting with telescopic chimney
- Energy Efficiency Class: A (at a range of energy efficiency classes from A++ to E)*
- Blower Efficiency Class: A*
- Lighting Efficiency Class: A*
- Grease Filtering Efficiency Class: B*
- Average Energy Consumption: 38 kWh/year*

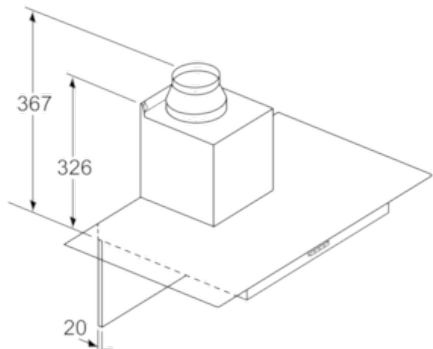
Optional accessories

- Recirculating kit Z5270X0

* In accordance with the EU-Regulation No 65/2014

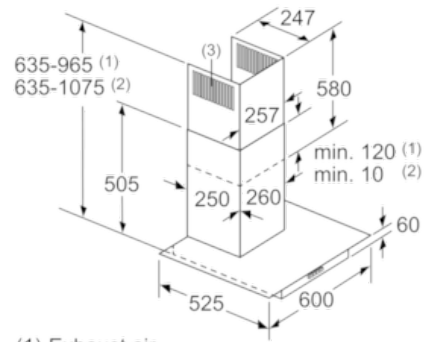
N 30
 D64GBCONOB
 GLASS DESIGN
 CHIMNEY HOOD
 STAINLESS STEEL
 60 CM WIDE

Dimensioned drawings



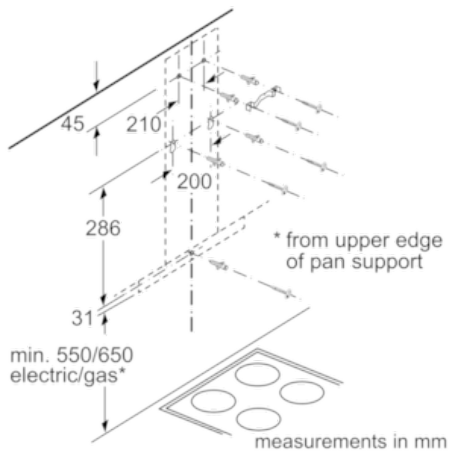
If a back panel is used, the design of the appliance must be considered.

measurements in mm

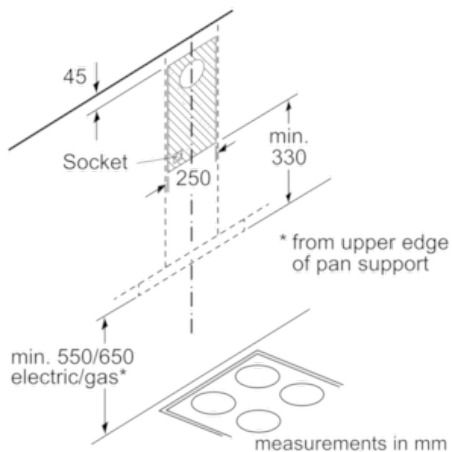


- (1) Exhaust air
- (2) Circulated air
- (3) Air outlet – slots for exhaust air to be mounted facing down

measurements in mm



measurements in mm



measurements in mm