

N 50
 D64QFM1NOB
 SLIM PYRAMID
 CHIMNEY HOOD
 STAINLESS STEEL
 60 CM WIDE



A



Our classic design hood with a modern twist - experience the slim pyramid hood.

- ✓ LED lighting: a clear illumination whilst cooking thanks to the energy-saving LED lights
- ✓ TouchControl: thanks to the integrated flat surface of the control panel, adjustments can be easily made with just one finger
- ✓ Intensive speed setting: increases the extraction rate when the steam gets intense
- ✓ CleanAir: nothing but clean air thanks to the premium recirculation filter with high odour reduction (ca. 95%)
- ✓ High extraction rate: Ensures a clear view while cooking thanks to efficient motor technology as either a ducted or recirculating solution.

Features

Technical Data

Color chimney : Stainless steel
 Typology : Chimney
 Approval certificates : CE, VDE
 Length of electrical supply cord (cm) : 130
 Height of the chimney (mm) : 582-912/582-1022
 Height of product, without chimney (mm) : 94
 Minimum distance above an electric hob : 550
 Minimum distance above a gas hob : 650
 Net weight (kg) : 12.2
 Type of control : Electronic
 Maximum output air extraction (m³/h) : 400
 Boost position output recirculating (m³/h) : 360
 Maximum output recirculating air (m³/h) : 300
 Boost position air extraction (m³/h) : 610
 Number of lights (Stck) : 2
 Noise level (dB(A) re 1 pW) : 62
 Diameter of air outlet (mm) : 120 / 150
 Grease filter material : Washable aluminium
 EAN code : 4242004224099
 Connection rating (W) : 220
 Current (A) : 10
 Voltage (V) : 220-240
 Frequency (Hz) : 50; 60
 Plug type : GB plug
 Installation type : Wall-mounted

Optional accessories

Z50XP0X0	CleanAir act.carbon filter regenerative
Z5170X1	CleanAir active carbon filter spare part
Z5270X0	CleanAir Recirculation Kit
Z5860N0	Back panel stainless steel
Z5865N0	Stainless steel back panel
Z5905N0	Chimney extension 1000 mm
Z5915N0	Chimney extension 1500 mm



4 242004 224099

N 50
D64QFM1NOB
SLIM PYRAMID
CHIMNEY HOOD
STAINLESS STEEL
60 CM WIDE

Features

Key performance features:

- Energy Efficiency Class: A (at a range of energy efficiency classes from A++ to E)*
- Extraction rate according to EN 61591 ø 15 cm:
max. Normal use 400 m³/h
Intensive 610 m³/h
- Noise max. Normal Level: 62 dB*

Features

- Touch control
- LED display
- 3 speeds plus intensive
- 2 x 1.5w LED Light
- Colour Temperature: 3500 K
- Automatic intensive revert (6mins)
- 2 metal grease filter cassettes
- For wall mounted installation

Design

- Stainless steel
- Slim pyramid
- Chimney hood
- Touch control
- Electronic controls

Performance/technical information

- Suitable for ducted extraction and recirculation
- For recirculated extraction recirculating kit or CleanAir recirculating kit (accessory) needed
- Extraction rate according to EN 61591 ø 15 cm:
max. Normal use 400 m³/h
Intensive 610 m³/h
- Max. extraction rate: 610 m³/h
- Extraction rate in recirculation mode:
Max. normal use: 300 m³/h
Intensive: 360 m³/h
- Noise level according to EN 60704-3 and EN 60704-2-13 at max. normal use exhaust air: 62 dB(A) re 1 pW (50 dB(A) re 20 µPa sound pressure)
- Noise level according to EN 60704-3 and EN 60704-2-13 exhaust air:
Max. normal use: 62 dB(A) re 1 pW (50 dB(A) re 20 µPa sound pressure)
Intensive: 70 dB(A) re 1 pW (58 dB(A) re 20 µPa sound pressure)
- Noise level according to EN 60704-3 and EN 60704-2-13 at maximum normal setting: extraction rate: 62 dB (A) re 1pW
- Noise max. Normal Level: 62 dB*
- Noise levels in recirculation mode:
Max. normal use: 72 dB(A) re 1 pW (60 dB(A) re 20 µPa sound pressure)
Intensive: 75 dB(A) re 1 pW (63 dB(A) re 20 µPa sound pressure)
- Power rating: 220 W
- Light Intensity: 250 lux
- Colour Temperature: 3500 K
- Electrical cable length 1.3 m
- Diameter pipe Ø 150 mm (Ø 120 mm enclosed)
- Dimensions exhaust air (HxWxD): 676-1006 x 600 x 500 mm
- Dimensions recirculating (HxWxD): 676-1116 x 600 x 500 mm
- Dimensions recirculating with CleanAir module (HxWxD):
744 x 600 x 500 mm - mounting with outer chimney
874-1204 x 600 x 500 mm - mounting with telescopic chimney
- Energy Efficiency Class: A (at a range of energy efficiency classes from A++ to E)*
- Blower Efficiency Class: A*
- Lighting Efficiency Class: A*
- Grease Filtering Efficiency Class: C*
- Average Energy Consumption: 38.3 kWh/year*

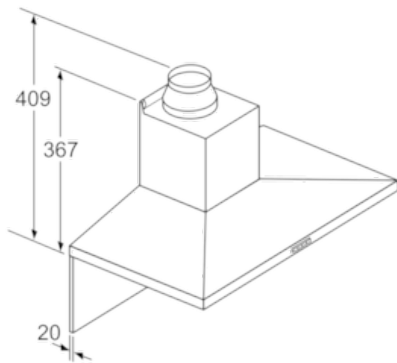
Optional accessories

- Recirculating kit Z5270X0

* In accordance with the EU-Regulation No 65/2014

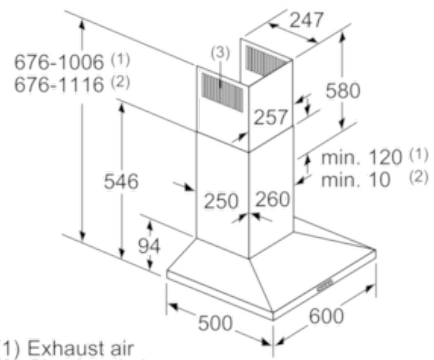
N 50
 D64QFM1NOB
 SLIM PYRAMID
 CHIMNEY HOOD
 STAINLESS STEEL
 60 CM WIDE

Dimensioned drawings



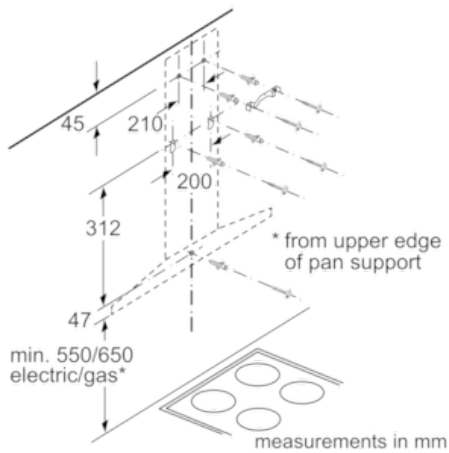
If a back panel is used, the design of the appliance must be considered.

measurements in mm

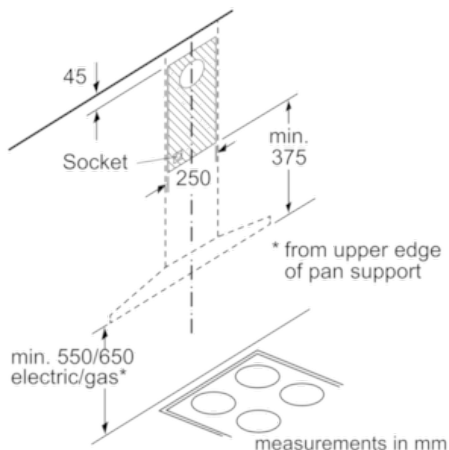


- (1) Exhaust air
- (2) Circulated air
- (3) Air outlet – slots for exhaust air to be mounted facing down

measurements in mm



measurements in mm



measurements in mm