

N 30
 D92PBCONOB
 PYRAMID
 CHIMNEY HOOD
 STAINLESS STEEL
 90 CM WIDE



C



The pyramid hood is a traditionally designed hood and a trademark design of our collections.

✓ LED lighting: a clear illumination whilst cooking thanks to the energy-saving LED lights

Features

Technical Data

Color chimney : Stainless steel
 Typology : Chimney
 Approval certificates : CE, VDE
 Length of electrical supply cord (cm) : 130
 Height of the chimney (mm) : 553-730/573-730
 Height of product, without chimney (mm) : 246
 Minimum distance above an electric hob : 550
 Minimum distance above a gas hob : 650
 Net weight (kg) : 8.5
 Type of control : mechanical
 Number of speed settings : 3
 Maximum output air extraction (m³/h) : 360
 Maximum output recirculating air (m³/h) : 200
 Number of lights (Stck) : 2
 Noise level (dB(A) re 1 pW) : 65
 Diameter of air outlet (mm) : 150 / 120
 Grease filter material : Washable aluminium
 EAN code : 4242004221531
 Connection rating (W) : 100
 Current (A) : 10
 Voltage (V) : 220-240
 Frequency (Hz) : 60; 50
 Plug type : GB plug
 Installation type : Wall-mounted



4 242004 221531

Optional accessories

Z5138X1	Active carbon filter
Z5138X5	Recirculating kit
Z5861N0	Back panel stainless steel
Z5895N0	Stainless steel back panel
Z5904N0	Chimney extension 500 mm
Z5904N5	Chimney extension 750 mm

N 30
D92PBCONOB
PYRAMID
CHIMNEY HOOD
STAINLESS STEEL
90 CM WIDE

Features

Key performance features:

- Energy Efficiency Class: C (at a range of energy efficiency classes from A++ to E)*
- Max. extraction rate: 360 m³/h
- Noise max. Normal Level: 65 dB*

Features

- Push button control operation
- 3 power levels
- 2 x 1.5w LED Light
- Colour Temperature: 3500 K
- 3 metal grease filter cassettes
- For wall mounted installation

Design

- Stainless steel
- Pyramid
- Wall mounted chimney hood
- Push buttons
- Mechanical

Performance/technical information

- Ducted/Recirculating operation
- Recirculating kit
- Max. extraction rate: 360 m³/h
- Maximum extraction rate exhaust air 360 m³/h according to EN 61591
- Extraction rate in recirculation mode:
Max. normal use: 200 m³/h
- Noise max. Normal Level: 65 dB*
- Noise level according to EN 60704-3 and EN 60704-2-13 at max. normal use exhaust air: 65 dB(A) re 1 pW (53 dB(A) re 20 µPa sound pressure)
- Noise level in recirculation mode:
Max. normal use: 67 dB(A) re 1 pW (55 dB(A) re 20 µPa sound pressure)
- Power rating: 100 W
- Light Intensity: 94 lux
- Colour Temperature: 3500 K
- Electrical cable length 1.3 m
- Diameter pipe Ø 150 mm (Ø 120 mm enclosed)
- Dimensions exhaust air (HxWxD): 799-975 x 900 x 500 mm
- Dimensions recirculating (HxWxD): 799-975 x 900 x 500 mm
- Energy Efficiency Class: C (at a range of energy efficiency classes from A++ to E)*
- Blower Efficiency Class: E*
- Lighting Efficiency Class: A*
- Grease Filtering Efficiency Class: D*
- Average Energy Consumption: 51.3 kWh/year*

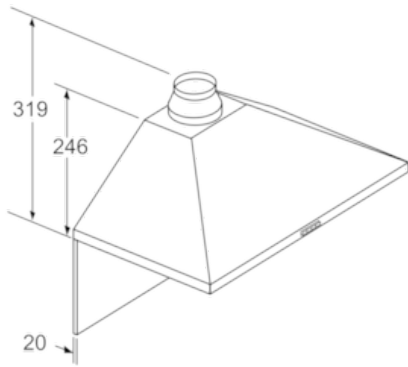
Optional accessories

- Recirculating kit Z5138X5

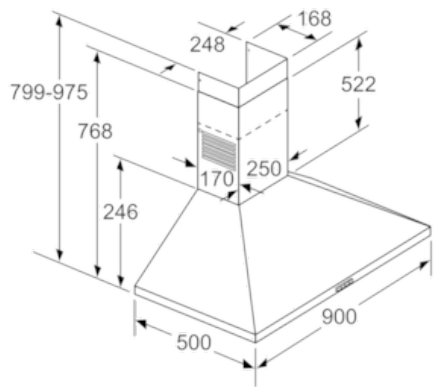
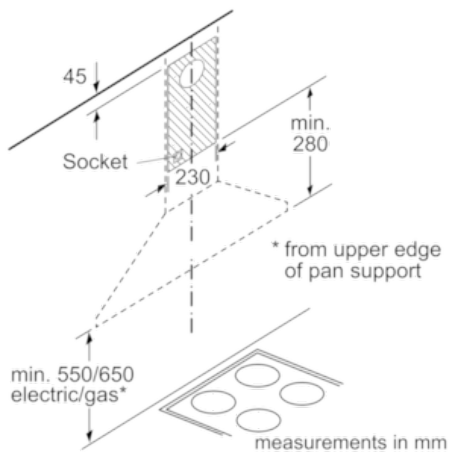
* In accordance with the EU-Regulation No 65/2014

N 30
 D92PBCONOB
 PYRAMID
 CHIMNEY HOOD
 STAINLESS STEEL
 90 CM WIDE

Dimensioned drawings



If a back panel is used,
 the design of the appliance
 must be considered. measurements in mm



measurements in mm