

Serie | 2
DEM63AC00B
Integrated extractor hood
Silver
60 cm wide

Integrated cooker hoods pull out when in use and close neatly to conceal when not in operation.

- An impressive extraction rate of 360 m³/h ensures this hood will have your kitchen odour free in no time.
- LED lighting is highly energy efficient and provides attractive, white and even lighting for the hob area.
- **Especially quiet:** high performance at just 48 dB.

Technical Data

Typology :	Pull-out
Approval certificates :	CE
Length of electrical supply cord (cm) :	150
Minimum distance above an electric hob :	500
Minimum distance above a gas hob :	650
Net weight (kg) :	10.6
Type of control :	mechanical
Number of speed settings :	3
Maximum output air extraction (m ³ /h) :	360
Maximum output recirculating air (m ³ /h) :	250
Number of lights (Stck) :	2
Noise level (dB(A) re 1 pW) :	62
Diameter of air outlet (mm) :	150 / 120
Grease filter material :	Washable aluminium
EAN code :	4242005041107
Connection rating (W) :	126
Current (A) :	10
Voltage (V) :	220-240
Frequency (Hz) :	50; 60
Plug type :	GB plug
Installation type :	Wall-mounted



4 242005 041107

Serie | 2 Hoods**DEM63AC00B****Integrated extractor hood****Silver****60 cm wide**

Integrated cooker hoods pull out when in use and close neatly to conceal when not in operation.

Key performance features:

- Energy Efficiency Class: D (at a range of energy efficiency classes from A++ to E)*
- Extraction rate according to EN 61591 max. 360 m³/h
- Noise max. Normal Level: 62 dB*

Features

- Push button control for extractor speeds and light
- 3 power levels
- Single motor
- 2 x 3W LED
- Colour Temperature: 2700 K
- 2 removable metal grease filter cassettes
- For installation between cupboards

Design

- Silver
- Integrated extractor hood
- Push button control
- Mechanical

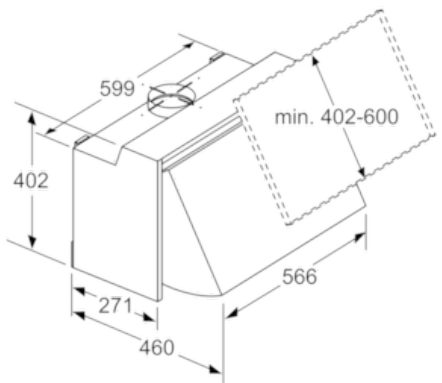
Performance/technical information

- Suitable for ducted or recirculating operation
- For recirculated extraction charcoal filter (accessory) needed
- Extraction rate according to EN 61591 max. 360 m³/h
- Noise level according to EN 60704-3 and EN 60704-2-13 at max. normal use exhaust air: 62 dB(A) re 1 pW (48 dB(A) re 20 µPa sound pressure)
- Noise max. Normal Level: 62 dB*
- Power rating: 126 W
- Light Intensity: 188 lux
- Colour Temperature: 2700 K
- Electrical cable length 1.5 m
- Diameter pipe Ø 150 mm (Ø 120 mm enclosed)
- Dimensions exhaust air (HxWxD): 402-402 x 599 x 271 mm
- Dimensions recirculating (HxWxD): 402-402 x 599 x 271 mm
- Energy Efficiency Class: D (at a range of energy efficiency classes from A++ to E)*
- Blower Efficiency Class: E*
- Lighting Efficiency Class: A*
- Grease Filtering Efficiency Class: C*
- Average Energy Consumption: 65.7 kWh/year*

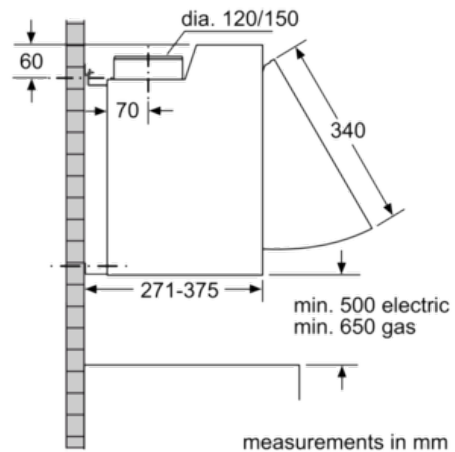
Optional accessories

- Recirculating kit

* In accordance with the EU-Regulation No 65/2014

Serie | 2 Hoods**DEM63AC00B****Integrated extractor hood****Silver****60 cm wide**

measurements in mm



measurements in mm