

Serie | 2
DLN53AA70B
Canopy hood
53 cm wide

Optional accessories

DWZ0IN0T0 : Recirculating kit

Canopy cooker hoods are designed to be fully integrated for more flexibility when planning your kitchen.


- An impressive extraction rate of 300 m³/h ensures this hood will have your kitchen odour free in no time.
- LED lighting is highly energy efficient and provides attractive, white and even lighting for the hob area.

Technical Data

Typology :	Traditional
Approval certificates :	CE
Length of electrical supply cord (cm) :	150
Required niche size for installation (HxWxD) :	208mm x 493mm x 257mm
Minimum distance above an electric hob :	550
Minimum distance above a gas hob :	650
Net weight (kg) :	4.470
Type of control :	mechanical
Number of speed settings :	3
Maximum output air extraction (m ³ /h) :	300
Maximum output recirculating air (m ³ /h) :	300
Number of lights (Stck) :	2
Noise level (dB(A) re 1 pW) :	61
Diameter of air outlet (mm) :	120
Grease filter material :	Washable aluminium
EAN code :	4242005095391
Connection rating (W) :	121
Current (A) :	5
Voltage (V) :	220-240
Frequency (Hz) :	50
Plug type :	GB plug
Installation type :	Built-in



4 242005 095391

Serie | 2 Hoods

DLN53AA70B

Canopy hood 53 cm wide

Canopy cooker hoods are designed to be fully integrated for more flexibility when planning your kitchen.

Key performance features:

- Energy Efficiency Class: D (at a range of energy efficiency classes from A++ to E)*
- Max. extraction rate: 300 m³/h
- Noise max. Normal Level: 61 dB*

Features

- Slider switch control for extractor speeds and light
- 3 power levels
- Single motor
- 2 x 3W LED
- Colour Temperature: 2700 K
- 1 removable metal grease filter cassette
- For installation in a kitchen cabinet

Design

- Canopy hood
- Slider switch control
- Mechanical

Performance/technical information

- Suitable for ducted or recirculating operation
- For recirculated extraction recirculating kit (accessory) needed
- Extraction rate according to EN 61591: max. 300 m³/h
- Noise level according to EN 60704-3 and EN 60704-2-13 at maximum normal setting: extraction rate: 61 dB(A) re 1 pW (47 dB(A) re 20 µPa sound pressure)
- Noise max. Normal Level: 61 dB*
- Power rating: 121 W
- Light Intensity: 78 lux
- Colour Temperature: 2700 K
- Electrical cable length 1.5 m
- Diameter pipe Ø 120 mm (Ø 120 mm enclosed)
- Dimensions exhaust air (HxWxD): 208-208 x 534 x 300 mm
- Dimensions recirculating (HxWxD): 208-208 x 534 x 300 mm
- built-in dimensions (HxWxD): 208 x 493 x 257 mm
- Energy Efficiency Class: D (at a range of energy efficiency classes from A++ to E)*
- Blower Efficiency Class: E*
- Lighting Efficiency Class: D*
- Grease Filtering Efficiency Class: D*
- Average Energy Consumption: 66.7 kWh/year*

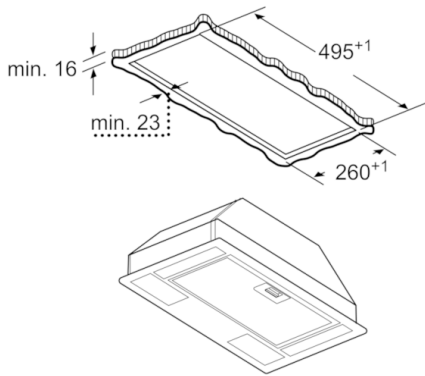
Optional accessories

- Recirculating kit

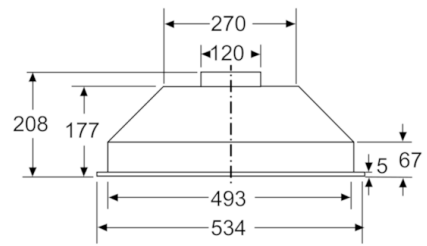
* In accordance with the EU-Regulation No 65/2014

Serie | 2 Hoods

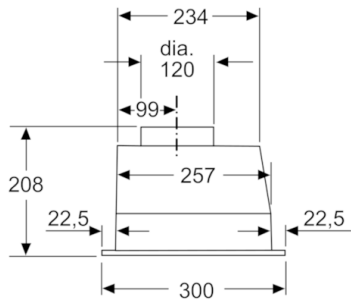
DLN53AA70B
Canopy hood
53 cm wide



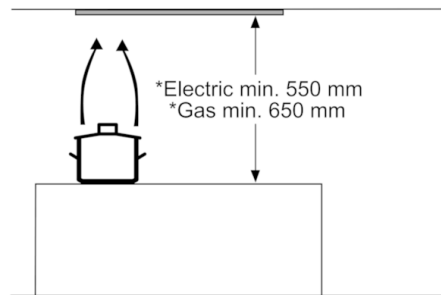
measurements in mm



measurements in mm



measurements in mm



* from upper edge of pan support

measurements in mm