

**Serie | 6, Ceiling cooker hood, 90 cm,
Stainless steel
DRC97AQ50B**

A



The integrated ceiling hood: the powerful and effective solution for larger and open plan kitchens, perfectly installed directly into the ceiling.

- **EcoSilence Drive:** our highly efficient motor saves on energy, not on performance.
- **Especially silent:** maximum extractor performance with minimal noise
- **Hob Hood Control:** now you never need to touch the hood again. The fan speed or lights of the hood can be conveniently controlled directly from the hob (with selected Wi-Fi enabled hobs).
- **Interior design:** easy cleaning thanks to concealed screws and cables with no sharp edges.
- **CleanAir recirculation filters (separate accessory):** Up to 90% odour reduction for a pleasant kitchen environment. Regenerative filter also available.

Technical Data

Approval certificates :	CE, VDE
Length of electrical supply cord (cm) :	130
Required niche size for installation (HxWxD) :	299mm x 888mm x 487mm
Minimum distance above an electric hob :	650
Minimum distance above a gas hob :	650
Net weight (kg) :	21.066
Type of control :	Electronic
Number of speed settings :	3-stage + 2 intensive
Maximum output air extraction (m3/h) :	459
Boost position output recirculating (m3/h) :	565
Maximum output recirculating air (m3/h) :	422
Boost position air extraction (m ³ /h) :	798
Number of lights (Stck) :	4
Noise level (dB(A) re 1 pW) :	56
Diameter of air outlet (mm) :	150
Grease filter material :	Washable stainless steel
EAN code :	4242005103997
Connection rating (W) :	174
Voltage (V) :	220-240
Frequency (Hz) :	60; 50
Plug type :	GB plug
Installation type :	Island



Optional accessories

- DIZ0JC5C0 : CleanAir Recirculation module
- DSZ5201 : CleanAir active carbon filter spare part
- DZZ0XX0P0 : CleanAir act.carbon filter regenerative



Serie | 6, Ceiling cooker hood, 90 cm, Stainless steel DRC97AQ50B

The integrated ceiling hood: the powerful and effective solution for larger and open plan kitchens, perfectly installed directly into the ceiling.

Key performance features:

- Energy Efficiency Class: A (at a range of energy efficiency classes from A++ to E)*
- Extraction rate according to EN 61591 ø 15 cm:
max. Normal use 458 m³/h
Intensive 798 m³/h
- Noise max. Normal Level: 56 dB*

Home Connect: Remote Monitoring and Control (only in countries where Home Connect service is available)

- Home Connect: Remote Monitoring and Control for connected home appliances and operation via smartphone or tablet (only in countries where Home Connect service is available)
- The Home Connect functionality can be extended by integrating numerous applications from external cooperation partners (partnerships)
- Voice Control enabled via popular voice assistants (only in countries where this service is available)
- Interval function: available via Home Connect
- Silence function: available via Home Connect

Special features

- Hob based hood control
- Electronic display
- Infrared remote control
- 3 power levels and 2 intensive settings
- 4 x 3W LED lights
- Colour Temperature: 3500 K
- Dimmer function
- Interval operation
- Automatic after running (10 min)
- Automatic intensive revert (6mins)
- 2 removable metal grease filter cassettes
- Saturation indicator for metal and charcoal filter
- easy to clean Inner frame
- Rim ventilation

Design

- Designed for ceiling mounted installation
- Brushed steel
- Electronic control

Performance/technical information

- Suitable for ducted or recirculating operation
- For recirculated extraction CleanAir recirculating kit (accessory) needed
- Extraction rate according to EN 61591 ø 15 cm:
max. Normal use 458 m³/h
Intensive 798 m³/h
- Extraction rate according to EN 61591 max. 458 m³/h
- Noise level according to EN 60704-3 and EN 60704-2-13 at max. normal use exhaust air: 56 dB(A) re 1 pW (43 dB(A) re 20 µPa sound pressure)
- Noise level according to EN 60704-3 and EN 60704-2-13 exhaust air:
Max. normal use: 56 dB(A) re 1 pW (43 dB(A) re 20 µPa sound pressure)
Intensive: 68 dB(A) re 1 pW (55 dB(A) re 20 µPa sound pressure)
- Noise level according to EN 60704-3 and EN 60704-2-13 at maximum normal setting: extraction rate: 56 dB (A) re 1pW
- Noise max. Normal Level: 56 dB*
- Power rating: 174 W
- Light Intensity: 659 lux
- Colour Temperature: 3500 K
- Electrical cable length 1.3 m
- Diameter pipe ø 150 mm (ø 150 mm enclosed)
- Dimensions exhaust air (HxWxD): 300-300 x 900 x 500 mm
- Dimensions recirculating (HxWxD): 300-300 x 900 x 500 mm
- Energy Efficiency Class: A (at a range of energy efficiency classes from A++ to E)*
- Blower Efficiency Class: A*
- Lighting Efficiency Class: A*
- Grease Filtering Efficiency Class: E*
- Average Energy Consumption: 34 kWh/year*

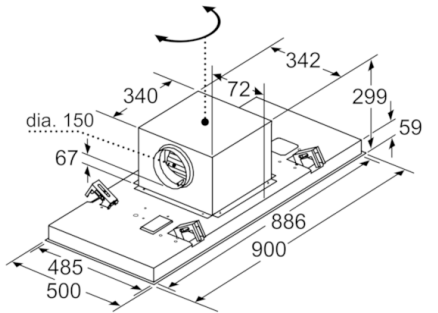
Optional accessories

- Recirculating kit

* In accordance with the EU-Regulation No 65/2014

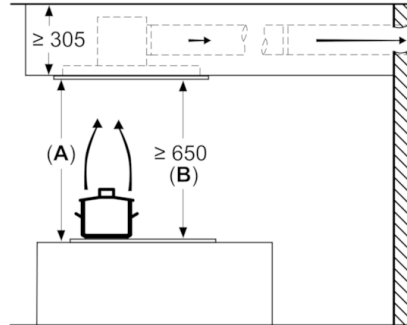
**Serie | 6, Ceiling cooker hood, 90 cm,
Stainless steel
DRC97AQ50B**

The fan outlet can be turned
in all four directions



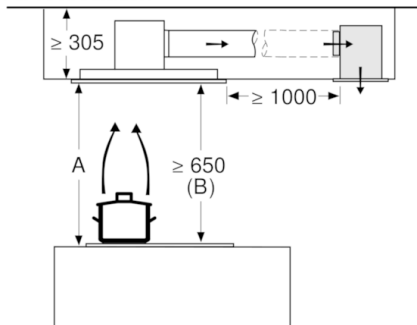
measurements in mm

measurements in mm
Air extraction

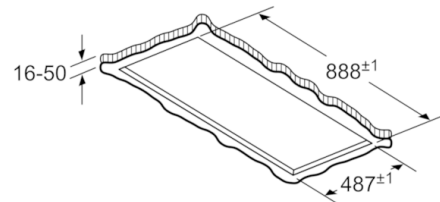


A: Optimum performance 700-1500
B: From upper edge of pan support

measurements in mm
Air recirculation



A: Optimum performance 700-1500
B: From upper edge of pan support



Never fit directly onto plasterboard or similar
lightweight construction materials of the
suspended ceiling. A suitable substructure
is required that is securely fixed to the
concrete ceiling.

measurements in mm