

**Serie | 4**
**DWB66DM50B**

**Box design  
Chimney extractor hood  
Brushed steel  
60 cm wide**

**A**

**Box design hood: performance and matching kitchen design complete in one hood.**

- **TouchSelect control:** quick touch-control selection of desired settings and light.
- An impressive extraction rate of 580 m<sup>3</sup>/h ensures this hood will have your kitchen odour free in no time.
- **Silent:** maximum extractor performance with little noise

**Technical Data**

Color chimney :	Stainless steel
Typology :	Chimney
Approval certificates :	CE, VDE
Length of electrical supply cord (cm) :	130
Height of the chimney (mm) :	583-912/583-1022
Height of product, without chimney (mm) :	53
Minimum distance above an electric hob :	550
Minimum distance above a gas hob :	650
Net weight (kg) :	11.3
Type of control :	Electronic
Maximum output air extraction (m <sup>3</sup> /h) :	360
Boost position output recirculating (m <sup>3</sup> /h) :	340
Maximum output recirculating air (m <sup>3</sup> /h) :	270
Boost position air extraction (m <sup>3</sup> /h) :	580
Number of lights (Stck) :	2
Noise level (dB(A) re 1 pW) :	60
Diameter of air outlet (mm) :	120 / 150
Grease filter material :	Washable aluminium
EAN code :	4242005051045
Connection rating (W) :	220
Current (A) :	10
Voltage (V) :	220-240
Frequency (Hz) :	60; 50
Plug type :	GB plug
Installation type :	Wall-mounted

**Optional accessories**

DHZ1225 : Chimney extension 1000 mm  
 DHZ1235 : Chimney extension 1500 mm  
 DHZ6550 : Brushed steel back panel  
 DHZ6551 : Brushed steel back panel  
 DSZ5201 : CleanAir active carbon filter spare part  
 DSZ6200 : CleanAir Recirculation Kit  
 DWZ0DX0A0 : Active carbon filter  
 DWZ0DX0U0 : Recirculating kit  
 DZZ0XX0P0 : CleanAir act.carbon filter regenerative



## Serie | 4 Hoods

### DWB66DM50B

#### Box design

#### Chimney extractor hood

#### Brushed steel

#### 60 cm wide

### Box design hood: performance and matching kitchen design complete in one hood.

#### Key performance features:

- Energy Efficiency Class: A (at a range of energy efficiency classes from A++ to E)\*
- Extraction rate according to EN 61591 ø 15 cm:  
max. Normal use 360 m<sup>3</sup>/h  
Intensive 580 m<sup>3</sup>/h
- Noise max. Normal Level: 60 dB\*

#### Features

- TouchControl with Electronic display
- Electronic display
- 3 power levels & intensive setting
- 2 x 1.5W LED light
- Colour Temperature: 3500 K
- Automatic intensive revert (6mins)
- 2 removable metal grease filter cassettes
- Designed for wall mounted installation

#### Design

- Brushed steel
- Box design
- Chimney extractor hood
- TouchControl
- Electronic control

#### Performance/technical information

- Suitable for ducted or recirculating operation
- For recirculated extraction recirculating kit or CleanAir recirculating kit (accessory) needed
- Max. extraction rate: 580 m<sup>3</sup>/h
- Extraction rate according to EN 61591 ø 15 cm:  
max. Normal use 360 m<sup>3</sup>/h  
Intensive 580 m<sup>3</sup>/h
- Extraction rate in recirculation mode:  
Max. normal use: 270 m<sup>3</sup>/h  
Intensive: 340 m<sup>3</sup>/h
- Noise max. Normal Level: 60 dB\*
- Noise level according to EN 60704-3 and EN 60704-2-13 exhaust air:  
Max. normal use: 60 dB(A) re 1 pW (48 dB(A) re 20 µPa sound pressure)  
Intensive: 69 dB(A) re 1 pW (57 dB(A) re 20 µPa sound pressure)
- Noise levels in recirculation mode:  
Max. normal use: 71 dB(A) re 1 pW (59 dB(A) re 20 µPa sound pressure)  
Intensive: 75 dB(A) re 1 pW (63 dB(A) re 20 µPa sound pressure)
- Power rating: 220 W
- Light Intensity: 250 lux
- Colour Temperature: 3500 K
- Electrical cable length 1.3 m
- Diameter pipe ø 150 mm (ø 120 mm enclosed)
- Dimensions exhaust air (HxWxD): 635-965 x 600 x 500 mm
- Dimensions recirculating (HxWxD): 635-1075 x 600 x 500 mm
- Dimensions recirculating with CleanAir module (HxWxD):  
703 x 600 x 500 mm - mounting with outer chimney  
833-1163 x 600 x 500 mm - mounting with telescopic chimney
- Energy Efficiency Class: A (at a range of energy efficiency classes from A++ to E)\*
- Blower Efficiency Class: A\*
- Lighting Efficiency Class: A\*
- Grease Filtering Efficiency Class: C\*
- Average Energy Consumption: 44 kWh/year\*

#### Optional accessories

- Recirculating kit

\* In accordance with the EU-Regulation No 65/2014

Serie | 4 Hoods

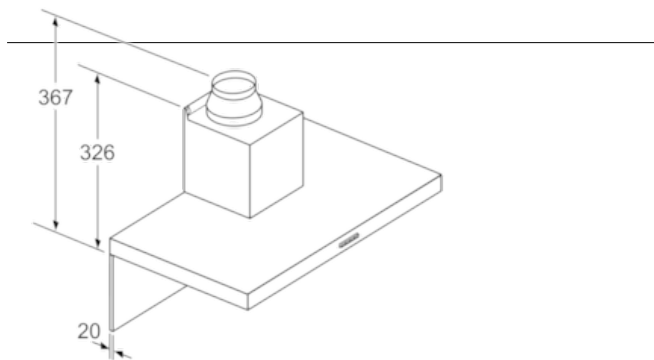
DWB66DM50B

Box design

Chimney extractor hood

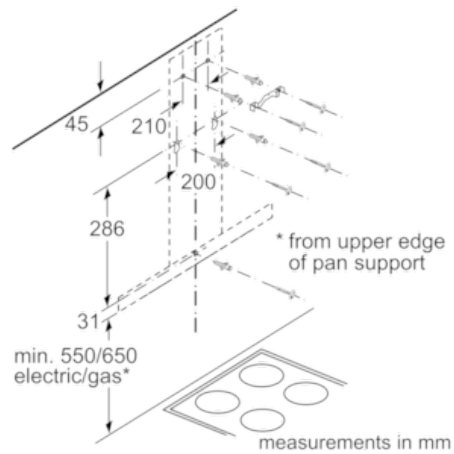
Brushed steel

60 cm wide

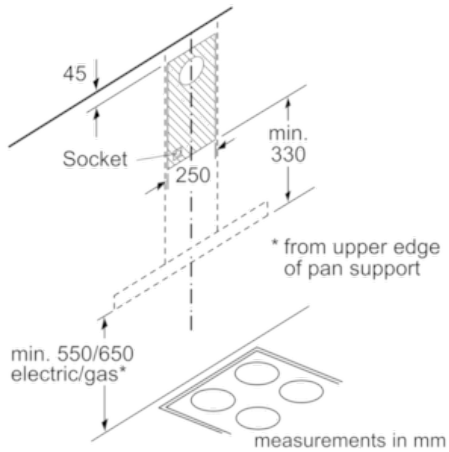


If a back panel is used, the design of the appliance must be considered.

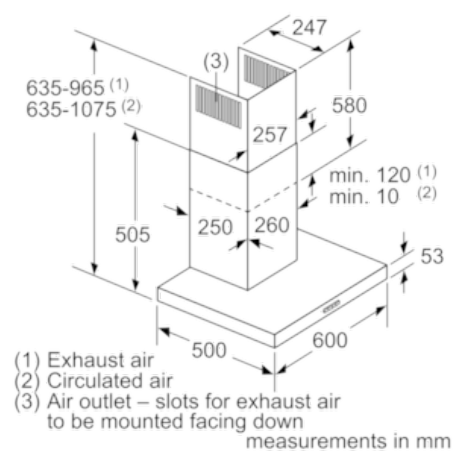
measurements in mm



measurements in mm



measurements in mm



measurements in mm