

**Serie | 4, Wall-mounted cooker hood,
60 cm, clear glass black printed
DWK67CM60B**



B

Angled hood: perfect for keeping an eye on your pots and pans.

- **Especially silent:** maximum extractor performance with minimal noise
- An impressive extraction rate of 700 m³/h ensures this hood will have your kitchen odour free in no time.
- **TouchSelect control:** quick touch-control selection of desired settings and light.
- **Easy-to-clean interior:** hidden screws and cables along with rounded edges make cleaning easy.
- **Illumination:** The energy-saving lighting provides bright and clear lighting for the hob area.

Technical Data

Color chimney :	Stainless steel
Typology :	Chimney
Approval certificates :	CE, VDE
Length of electrical supply cord (cm) :	130
Height of product, without chimney (mm) :	323
Minimum distance above an electric hob :	450
Minimum distance above a gas hob :	600
Net weight (kg) :	18.872
Type of control :	Electronic
Maximum output air extraction (m ³ /h) :	416
Boost position output recirculating (m ³ /h) :	557
Maximum output recirculating air (m ³ /h) :	388
Boost position air extraction (m ³ /h) :	700
Number of lights (Stck) :	2
Noise level (dB(A) re 1 pW) :	58
Diameter of air outlet (mm) :	150 / 120
Grease filter material :	Washable aluminium
EAN code :	4242005172740
Connection rating (W) :	263
Current (A) :	10
Voltage (V) :	220-240
Frequency (Hz) :	50; 60
Plug type :	GB plug
Installation type :	Wall-mounted



Optional accessories

- DSZ5201 : CleanAir active carbon filter spare part
- DWZ0AK0AO : Active carbon filter (spare part)
- DWZ0AK0RO : Recirculation kit regenerative chimless
- DWZ0AK0SO : Recirculation kit regenerative
- DWZ0AK0TO : Recirculation kit for chimless use
- DWZ0AK0UO : Recirculation kit
- DWZ0AX5K0 : Chimney extension 1000 mm
- DWZ0AX5L0 : Chimney extension 1500 mm
- DZZ0XX0P0 : CleanAir act.carbon filter regenerative



Serie | 4, Wall-mounted cooker hood, 60 cm, clear glass black printed DWK67CM60B

Angled hood: perfect for keeping an eye on your pots and pans.

Key performance features:

- Energy Efficiency Class: B (at a range of energy efficiency classes from A++ to E)*
- Extraction rate according to EN 61591 ø 15 cm: max. Normal use 416 m³/h Intensive 700 m³/h
- Noise max. Normal Level: 58 dB*

Special features

- TouchControl with Electronic display
- 3 power levels & intensive setting
- 2 x 1.5W LED light
- Colour Temperature: 3500 K
- Automatic intensive revert (6mins)
- 2 removable metal grease filter cassettes
- easy to clean Inner frame
- Designed for wall mounted installation
- Rim ventilation

Design

- Black glass canopy
- angled glass design
- Chimney extractor hood
- TouchControl
- Electronic control

Performance/technical information

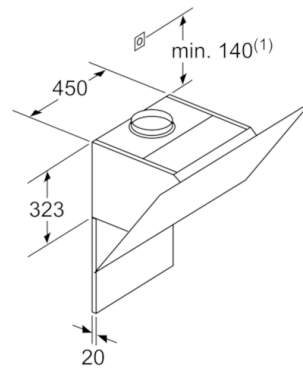
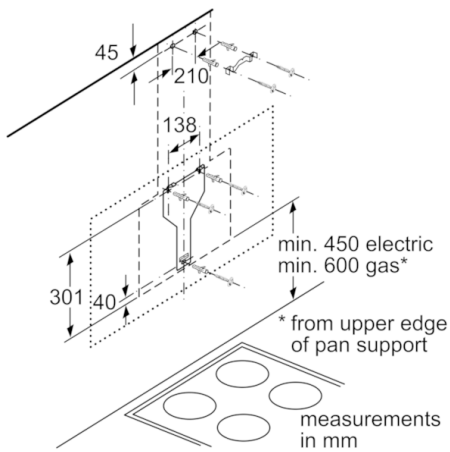
- Suitable for ducted or recirculating operation
- For recirculated extraction recirculating kit (accessory) needed
- In recirculation operation chimless use possible
- Easy installation system
- Extraction rate according to EN 61591 ø 15 cm: max. Normal use 416 m³/h Intensive 700 m³/h
- Extraction rate according to EN 61591 max. 416 m³/h
- Noise level according to EN 60704-3 and EN 60704-2-13 at max. normal use exhaust air: 58 dB(A) re 1 pW (45 dB(A) re 20 µPa sound pressure)
- Noise level according to EN 60704-3 and EN 60704-2-13 exhaust air: Max. normal use: 58 dB(A) re 1 pW (45 dB(A) re 20 µPa sound pressure) Intensive: 67 dB(A) re 1 pW (54 dB(A) re 20 µPa sound pressure)
- Noise level according to EN 60704-3 and EN 60704-2-13 at maximum normal setting: extraction rate: 58 dB (A) re 1pW
- Noise max. Normal Level: 58 dB*
- Power rating: 263 W
- Light Intensity: 100 lux
- Colour Temperature: 3500 K
- Electrical cable length 1.3 m
- Diameter pipe ø 150 mm (ø 120 mm enclosed)
- Dimensions exhaust air (HxWxD): 928-1198 x 590 x 499 mm
- Dimensions recirculating (HxWxD): 988-1258 x 590 x 499 mm
- Dimensions recirculating with CleanAir module (HxWxD): 1118 x 590 x 499 mm - mounting with outer chimney 1188-1458 x 590 x 499 mm - mounting with telescopic chimney
- Energy Efficiency Class: B (at a range of energy efficiency classes from A++ to E)*
- Blower Efficiency Class: B*
- Lighting Efficiency Class: B*
- Grease Filtering Efficiency Class: C*
- Average Energy Consumption: 56.6 kWh/year*

Optional accessories

- Recirculating kit

* In accordance with the EU-Regulation No 65/2014

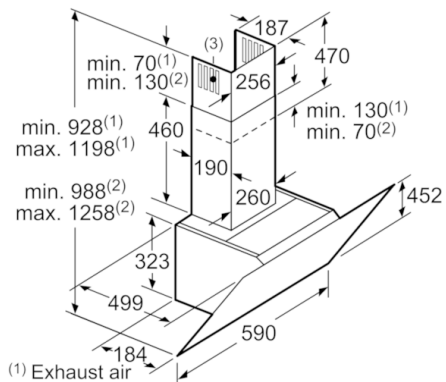
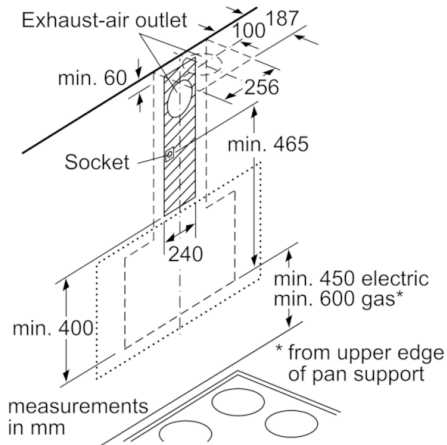
**Serie | 4, Wall-mounted cooker hood, 60 cm,
clear glass black printed
DWK67CM60B**



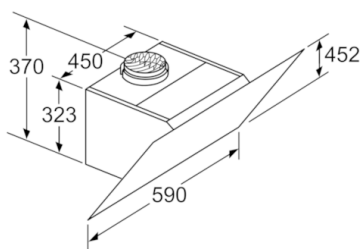
(1) Position of socket

Note the maximum thickness of the back panel.

measurements in mm

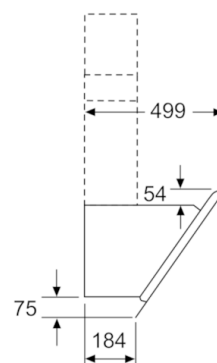


(1) Exhaust air
(2) Circulated air
(3) Air outlet – slot for exhaust air to be mounted facing down
measurements in mm



Appliance in circulated air mode
without duct
Circulated air set required

measurements in mm



measurements in mm