

**Serie | 2, Wall-mounted cooker hood,  
60 cm, Stainless steel  
DWP64CC50M**



**D**

**Wall mounted chimney hoods add style and sophistication to the kitchen and give you complete freedom in your kitchen planning.**

- **Silent:** maximum extractor performance with minimal noise.
- An impressive extraction rate of m<sup>3</sup>/h ensures this hood will have your kitchen odour free in no time.
- 3-speed power Level options to suit your cooking style and recipes.
- Dishwasher safe aluminum mesh filters
- Ducted or Non-ducted Options

**Technical Data**

Typology :	Chimney
Approval certificates :	CE, VDE
Length of electrical supply cord (cm) :	120
Height of the chimney (mm) :	410-765/410-765
Height of product, without chimney (mm) :	250
Minimum distance above an electric hob :	650
Minimum distance above a gas hob :	650
Net weight (kg) :	11.284
Type of control :	mechanical
Number of speed settings :	3
Maximum output air extraction (m <sup>3</sup> /h) :	380
Maximum output recirculating air (m <sup>3</sup> /h) :	235
Number of lights (Stck) :	2
Noise level (dB(A) re 1 pW) :	64
Diameter of air outlet (mm) :	150
Grease filter material :	Washable aluminium
EAN code :	4242002985299
Connection rating (W) :	135
Voltage (V) :	220-240
Frequency (Hz) :	50
Plug type :	GB plug
Installation type :	Wall-mounted



4 242002 985299

## **Serie | 2, Wall-mounted cooker hood, 60 cm, Stainless steel DWP64CC50M**

### **Optional accessories**

- Recirculating kit DWA0KP6A
- \* In accordance with the EU-Regulation No 65/2014

**Wall mounted chimney hoods add style and sophistication to the kitchen and give you complete freedom in your kitchen planning.**

---

### **Key performance features:**

- Energy Efficiency Class: D (at a range of energy efficiency classes from A+++ to D)
- Max. extraction rate: 380 m<sup>3</sup>/h
- Noise max. Normal Level: Noise, max. speed in normal us: 64 dB dB\*

### **Features**

- 3 power levels
- 2 x LED 5W
- Colour Temperature: 4000 K
- 2 removable metal grease filter cassettes
- Installation: wall

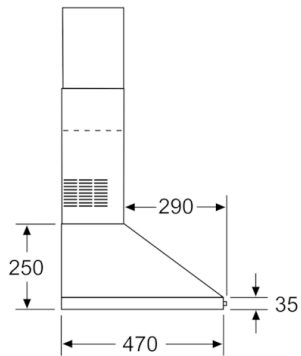
### **Design**

- Chimney extractor hood
- Push button control
- Mechanical

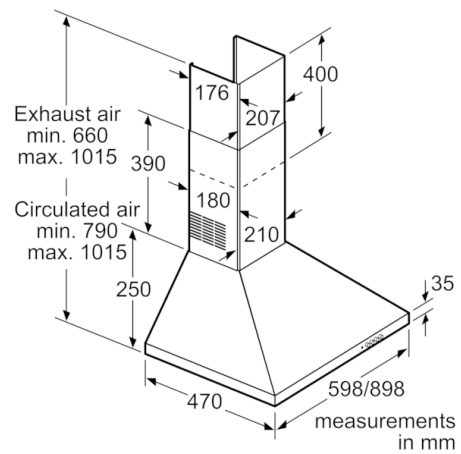
### **Performance/technical information**

- Suitable for ducted or recirculating operation
- For recirculated extraction charcoal filter (accessory) needed
- Maximum extraction rate exhaust air 380 m<sup>3</sup>/h according to EN 61591
- Extraction rate in recirculation mode:  
Max. normal use: 235 m<sup>3</sup>/h
- Noise level according to EN 60704-3 and EN 60704-2-13 at max. normal use exhaust air: 64 dB(A) re 1 pW
- Noise level in recirculation mode:  
Max. normal use: 70 dB(A) re 1 pW (56 dB(A) re 20 µPa sound pressure)
- Power rating: 135 W
- Light Intensity: 1000 lux
- Electrical cable length 1.2 m
- Diameter pipe Ø 150 mm (Ø 150 mm enclosed)
- Dimensions exhaust air (HxWxD): 790-1015 x 598 x 470 mm
- Dimensions recirculating (HxWxD): 790-1015 x 598 x 470 mm
- Blower Efficiency Class: E\*
- Lighting Efficiency Class: A\*
- Grease Filtering Efficiency Class: C\*
- Average Energy Consumption: 72.8 kWh/year\*

**Serie | 2, Wall-mounted cooker hood, 60 cm,  
Stainless steel  
DWP64CC50M**



measurements in mm



measurements in mm

