

Serie | 2
**DWP94BC50B
Pyramid
Chimney extractor hood
Brushed steel
90 cm wide**

Optional accessories

- DHZ1224 : Chimney extension 500 mm
- DHZ1234 : Chimney extension 750 mm
- DHZ5275 : Recirculating kit
- DHZ5276 : Active carbon filter
- DHZ9550 : Brushed steel back panel
- DHZ9551 : Brushed steel back panel

Pyramid hood: perfect performance matching your kitchen.

- **Push buttons:** simply change the desired power level settings with mechanic control.
- An impressive extraction rate of 360 m³/h ensures this hood will have your kitchen odour free in no time.
- **Silent:** maximum extractor performance with little noise

Technical Data

Color chimney :	Stainless steel
Typology :	Chimney
Approval certificates :	CE, VDE
Length of electrical supply cord (cm) :	130
Height of the chimney (mm) :	553-730/573-730
Height of product, without chimney (mm) :	246
Minimum distance above an electric hob :	550
Minimum distance above a gas hob :	650
Net weight (kg) :	10.4
Type of control :	mechanical
Number of speed settings :	3
Maximum output air extraction (m ³ /h) :	360
Maximum output recirculating air (m ³ /h) :	200
Number of lights (Stck) :	2
Noise level (dB(A) re 1 pW) :	65
Diameter of air outlet (mm) :	150 / 120
Grease filter material :	Washable aluminium
EAN code :	4242005032020
Connection rating (W) :	100
Current (A) :	10
Voltage (V) :	220-240
Frequency (Hz) :	50; 60
Plug type :	GB plug
Installation type :	Wall-mounted



Serie | 2 Hoods**DWP94BC50B****Pyramid
Chimney extractor hood
Brushed steel
90 cm wide****Pyramid hood: perfect performance
matching your kitchen.****Key performance features:**

- Energy Efficiency Class: C (at a range of energy efficiency classes from A++ to E)*
- Max. extraction rate: 360 m³/h
- Noise max. Normal Level: 65 dB*

Features

- Push button control
- 3 power levels
- 2 x 1.5W LED light
- Colour Temperature: 3500 K
- 3 removable metal grease filter cassettes
- Designed for wall mounted installation

Design

- Brushed steel
- Pyramid
- Chimney extractor hood
- Mechanical

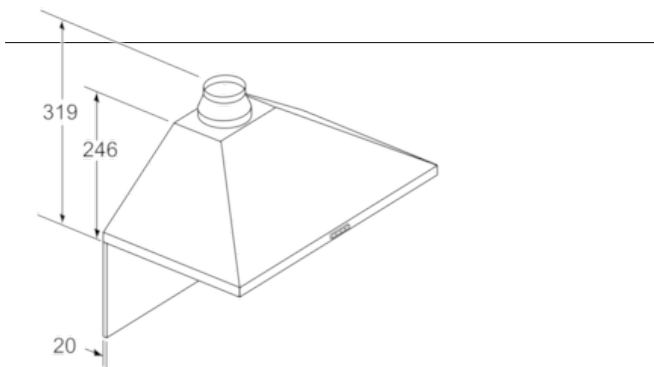
Performance/technical information

- Suitable for ducted or recirculating operation
- For recirculated extraction recirculating kit (accessory) needed
- Max. extraction rate: 360 m³/h
- Maximum extraction rate exhaust air 360 m³/h according to EN 61591
- Extraction rate in recirculation mode:
Max. normal use: 200 m³/h
- Noise max. Normal Level: 65 dB*
- Noise level according to EN 60704-3 and EN 60704-2-13 at max. normal use exhaust air: 65 dB(A) re 1 pW (53 dB(A) re 20 µPa sound pressure)
- Noise level in recirculation mode:
Max. normal use: 67 dB(A) re 1 pW (55 dB(A) re 20 µPa sound pressure)
- Power rating: 100 W
- Light Intensity: 94 lux
- Colour Temperature: 3500 K
- Electrical cable length 1.3 m
- Diameter pipe Ø 150 mm (Ø 120 mm enclosed)
- Dimensions exhaust air (HxWxD): 799-975 x 900 x 500 mm
- Dimensions recirculating (HxWxD): 799-975 x 900 x 500 mm
- Energy Efficiency Class: C (at a range of energy efficiency classes from A++ to E)*
- Blower Efficiency Class: E*
- Lighting Efficiency Class: A*
- Grease Filtering Efficiency Class: D*
- Average Energy Consumption: 51.3 kWh/year*

Optional accessories

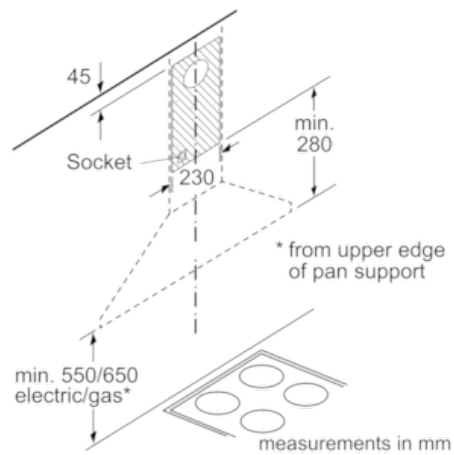
- Recirculating kit

* In accordance with the EU-Regulation No 65/2014

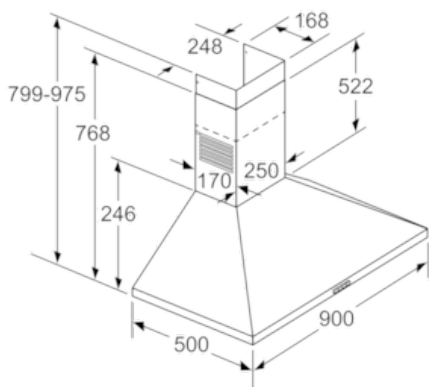
Serie | 2 Hoods
DWP94BC50B
Pyramid
Chimney extractor hood
Brushed steel
90 cm wide


If a back panel is used, the design of the appliance must be considered.

measurements in mm



measurements in mm



measurements in mm