

**Serie | 2**
**DWQ64BC50B  
Slim Pyramid  
Chimney extractor hood  
Brushed steel  
60 cm wide**
**D**

**Slim Pyramid hood: performance and matching design in your kitchen.**

- **Push buttons:** simply change the desired power level settings with mechanic control.
- An impressive extraction rate of 350 m<sup>3</sup>/h ensures this hood will have your kitchen odour free in no time.
- **Silent:** maximum extractor performance with little noise

**Technical Data**

Color chimney :	Stainless steel
Typology :	Chimney
Approval certificates :	CE, VDE
Length of electrical supply cord (cm) :	130
Height of the chimney (mm) :	582-912/582-1022
Height of product, without chimney (mm) :	94
Minimum distance above an electric hob :	550
Minimum distance above a gas hob :	650
Net weight (kg) :	9.4
Type of control :	mechanical
Number of speed settings :	3
Maximum output air extraction (m <sup>3</sup> /h) :	350
Maximum output recirculating air (m <sup>3</sup> /h) :	190
Number of lights (Stck) :	2
Noise level (dB(A) re 1 pW) :	64
Diameter of air outlet (mm) :	120 / 150
Grease filter material :	Washable aluminium
EAN code :	4242005051199
Connection rating (W) :	100
Current (A) :	10
Voltage (V) :	220-240
Frequency (Hz) :	50; 60
Plug type :	GB plug
Installation type :	Wall-mounted

**Optional accessories**

- DHZ1225 : Chimney extension 1000 mm
- DHZ1235 : Chimney extension 1500 mm
- DHZ6550 : Brushed steel back panel
- DHZ6551 : Brushed steel back panel
- DSZ5201 : CleanAir active carbon filter spare part
- DSZ6200 : CleanAir Recirculation Kit
- DWZ0DX0A0 : Active carbon filter
- DWZ0DX0U0 : Recirculating kit
- DZZ0XX0P0 : CleanAir act.carbon filter regenerative



**Serie | 2 Hoods****DWQ64BC50B****Slim Pyramid  
Chimney extractor hood  
Brushed steel  
60 cm wide****Slim Pyramid hood: performance and  
matching design in your kitchen.****Key performance features:**

- Energy Efficiency Class: D (at a range of energy efficiency classes from A++ to E)\*
- Max. extraction rate: 350 m<sup>3</sup>/h
- Noise max. Normal Level: 64 dB\*

**Features**

- 3 power levels
- 2 x 1.5W LED light
- Colour Temperature: 3500 K
- 2 removable metal grease filter cassettes
- Designed for wall mounted installation

**Design**

- Brushed steel
- Slim Pyramid
- Chimney extractor hood
- Push button control
- Mechanical

**Performance/technical information**

- Suitable for ducted or recirculating operation
- For recirculated extraction recirculating kit or CleanAir recirculating kit (accessory) needed
- Max. extraction rate: 350 m<sup>3</sup>/h
- Maximum extraction rate exhaust air 350 m<sup>3</sup>/h according to EN 61591
- Extraction rate in recirculation mode:  
Max. normal use: 190 m<sup>3</sup>/h
- Noise max. Normal Level: 64 dB\*
- Noise level according to EN 60704-3 and EN 60704-2-13 at max. normal use exhaust air: 64 dB(A) re 1 pW (52 dB(A) re 20 µPa sound pressure)
- Noise level in recirculation mode:  
Max. normal use: 65 dB(A) re 1 pW (53 dB(A) re 20 µPa sound pressure)
- Power rating: 100 W
- Light Intensity: 99 lux
- Colour Temperature: 3500 K
- Electrical cable length 1.3 m
- Diameter pipe Ø 150 mm (Ø 120 mm enclosed)
- Dimensions exhaust air (HxWxD): 676-1006 x 600 x 500 mm
- Dimensions recirculating (HxWxD): 676-1116 x 600 x 500 mm
- Dimensions recirculating with CleanAir module (HxWxD):  
744 x 600 x 500 mm - mounting with outer chimney  
874-1204 x 600 x 500 mm - mounting with telescopic chimney
- Energy Efficiency Class: D (at a range of energy efficiency classes from A++ to E)\*
- Blower Efficiency Class: E\*
- Lighting Efficiency Class: A\*
- Grease Filtering Efficiency Class: D\*
- Average Energy Consumption: 53.1 kWh/year\*

**Optional accessories**

- Recirculating kit

\* In accordance with the EU-Regulation No 65/2014

Serie | 2 Hoods

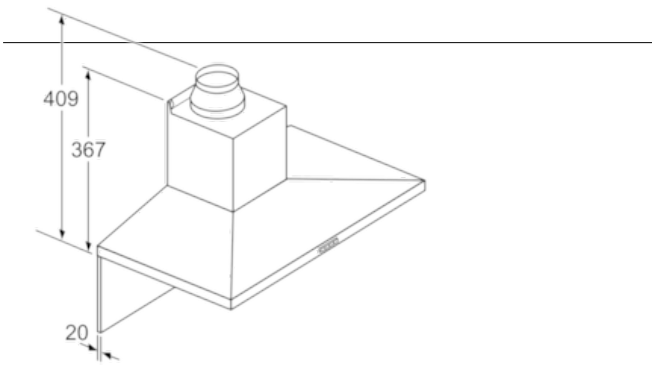
DWQ64BC50B

Slim Pyramid

Chimney extractor hood

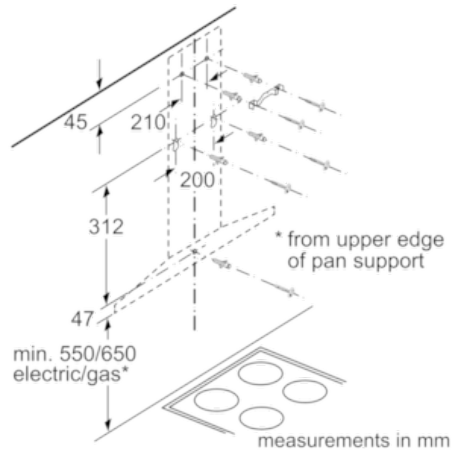
Brushed steel

60 cm wide

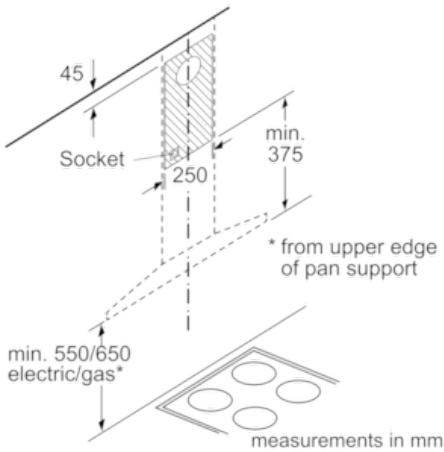


If a back panel is used, the design of the appliance must be considered.

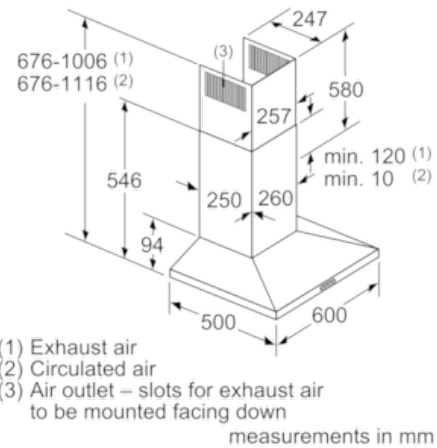
measurements in mm



measurements in mm



measurements in mm



measurements in mm

- (1) Exhaust air
- (2) Circulated air
- (3) Air outlet – slots for exhaust air to be mounted facing down