

Serie | 4
DWQ66DM50B
Slim Pyramid
Chimney extractor hood
Brushed steel
60 cm wide
A

Slim Pyramid hood: performance and matching design in your kitchen.

- **TouchSelect control:** quick touch-control selection of desired settings and light.
- An impressive extraction rate of 610 m³/h ensures this hood will have your kitchen odour free in no time.
- **Silent:** maximum extractor performance with little noise

Technical Data

Color chimney :	Stainless steel
Typology :	Chimney
Approval certificates :	CE, VDE
Length of electrical supply cord (cm) :	130
Height of the chimney (mm) :	582-912/582-1022
Height of product, without chimney (mm) :	94
Minimum distance above an electric hob :	550
Minimum distance above a gas hob :	650
Net weight (kg) :	10.5
Type of control :	Electronic
Maximum output air extraction (m ³ /h) :	400
Boost position output recirculating (m ³ /h) :	360
Maximum output recirculating air (m ³ /h) :	300
Boost position air extraction (m ³ /h) :	610
Number of lights (Stck) :	2
Noise level (dB(A) re 1 pW) :	62
Diameter of air outlet (mm) :	150 / 120
Grease filter material :	Washable aluminium
EAN code :	4242005051212
Connection rating (W) :	220
Current (A) :	10
Voltage (V) :	220-240
Frequency (Hz) :	60; 50
Plug type :	GB plug
Installation type :	Wall-mounted

Optional accessories

- DHZ1225 : Chimney extension 1000 mm
- DHZ1235 : Chimney extension 1500 mm
- DHZ6550 : Brushed steel back panel
- DHZ6551 : Brushed steel back panel
- DSZ5201 : CleanAir active carbon filter spare part
- DSZ6200 : CleanAir Recirculation Kit
- DWZ0DX0A0 : Active carbon filter
- DWZ0DX0U0 : Recirculating kit
- DZZ0XX0P0 : CleanAir act.carbon filter regenerative



Serie | 4 Hoods**DWQ66DM50B****Slim Pyramid
Chimney extractor hood
Brushed steel
60 cm wide****Slim Pyramid hood: performance and
matching design in your kitchen.****Key performance features:**

- Energy Efficiency Class: A (at a range of energy efficiency classes from A++ to E)*
- Extraction rate according to EN 61591 ø 15 cm:
max. Normal use 400 m³/h
Intensive 610 m³/h
- Noise max. Normal Level: 62 dB*

Features

- TouchControl with Electronic display
- Electronic display
- 3 power levels & intensive setting
- 2 x 1.5W LED light
- Colour Temperature: 3500 K
- Automatic intensive revert (6mins)
- 2 removable metal grease filter cassettes
- Designed for wall mounted installation

Design

- Brushed steel
- Slim Pyramid
- Chimney extractor hood
- TouchControl
- Electronic control

Performance/technical information

- Suitable for ducted or recirculating operation
- For recirculated extraction recirculating kit or CleanAir recirculating kit (accessory) needed
- Max. extraction rate: 610 m³/h
- Extraction rate according to EN 61591 ø 15 cm:
max. Normal use 400 m³/h
Intensive 610 m³/h
- Extraction rate in recirculation mode:
Max. normal use: 300 m³/h
Intensive: 360 m³/h
- Noise max. Normal Level: 62 dB*
- Noise level according to EN 60704-3 and EN 60704-2-13 exhaust air:
Max. normal use: 62 dB(A) re 1 pW (50 dB(A) re 20 µPa sound pressure)
Intensive: 70 dB(A) re 1 pW (58 dB(A) re 20 µPa sound pressure)
- Noise levels in recirculation mode:
Max. normal use: 72 dB(A) re 1 pW (60 dB(A) re 20 µPa sound pressure)
Intensive: 75 dB(A) re 1 pW (63 dB(A) re 20 µPa sound pressure)
- Power rating: 220 W
- Light Intensity: 250 lux
- Colour Temperature: 3500 K
- Electrical cable length 1.3 m
- Diameter pipe ø 150 mm (ø 120 mm enclosed)
- Dimensions exhaust air (HxWxD): 676-1006 x 600 x 500 mm
- Dimensions recirculating (HxWxD): 676-1116 x 600 x 500 mm
- Dimensions recirculating with CleanAir module (HxWxD):
744 x 600 x 500 mm - mounting with outer chimney
874-1204 x 600 x 500 mm - mounting with telescopic chimney
- Energy Efficiency Class: A (at a range of energy efficiency classes from A++ to E)*
- Blower Efficiency Class: A*
- Lighting Efficiency Class: A*
- Grease Filtering Efficiency Class: C*
- Average Energy Consumption: 38.3 kWh/year*

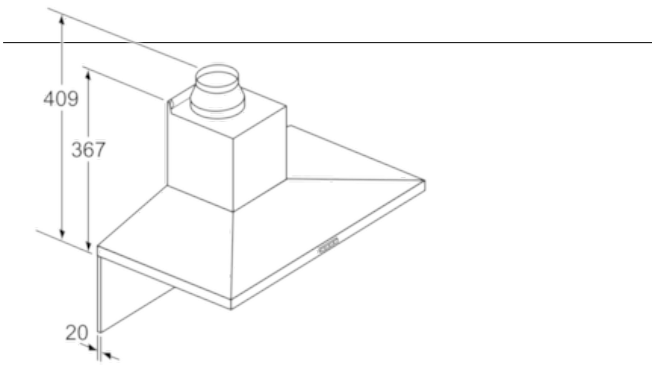
Optional accessories

- Recirculating kit

* In accordance with the EU-Regulation No 65/2014

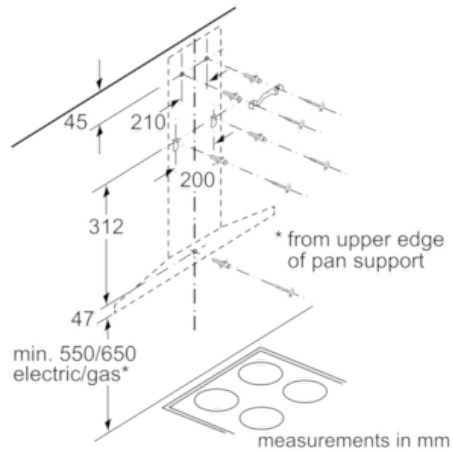
Serie | 4 Hoods

DWQ66DM50B
Slim Pyramid
Chimney extractor hood
Brushed steel
60 cm wide

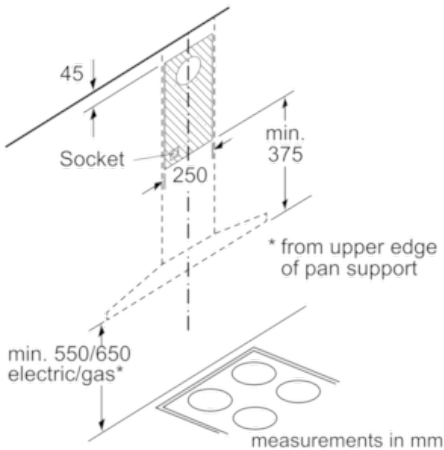


If a back panel is used, the design of the appliance must be considered.

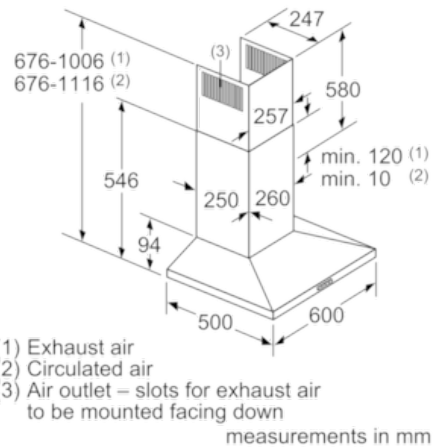
measurements in mm



measurements in mm



measurements in mm



measurements in mm

- (1) Exhaust air
- (2) Circulated air
- (3) Air outlet – slots for exhaust air to be mounted facing down