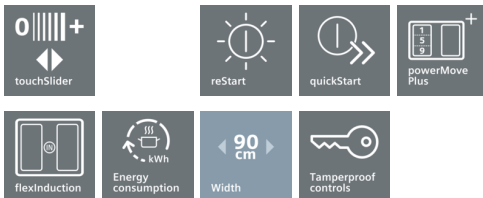
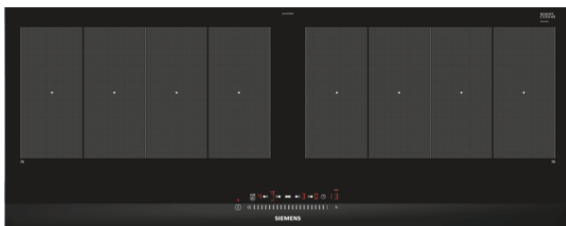


iQ700
EX275FXB1E Induction Hob
Stainless Steel side trim with bevelled front edge
912 mm



Induction cooktop with innovative features that enable highly flexible cooking in any situation.

- ✓ Innovative induction technology is one of the quickest, safest and most efficient methods of cooking.
- ✓ Shorter heating times with up to 50% more power thanks to the powerBoost function.
- ✓ Flexible cooking thanks to the innovative flexInduction cooking zone and 2 traditional cooking zones.

Features

Technical Data

Product name/family : Cooking zone ceramic
 Construction type : Built-in
 Energy input : Electric
 Total number of positions that can be used at the same time : 4
 Required niche size for installation (HxWxD) : 51 x 880-880 x 330-330
 Width of the product (mm) : 912
 Dimensions of the product (mm) : 51 x 912 x 350
 Dimensions of the packed product (HxWxD) (mm) : 126 x 1031 x 472
 Net weight (kg) : 15.0
 Gross weight (kg) : 16.0
 Residual heat indicator : Separate
 Location of control panel : Hob front
 Basic surface material : Ceramic
 Color of surface : Alu, brushed, Black
 Color of frame : Alu, brushed
 Approval certificates : AENOR, CE
 Length of electrical supply cord (cm) : 110
 EAN code : 4242003701218
 Electrical connection rating (W) : 7400
 Current (A) : 2*16; 32
 Voltage (V) : 220-240
 Frequency (Hz) : 60; 50



Optional accessories

HZ390011 Stainless Steel roaster with glas lid

iQ700
EX275FXB1E Induction Hob
Stainless Steel side trim with bevelled front edge
912 mm

Features

Control:

- touchSlider control

Special features

- 2 flexInduction zones
- 4 induction cooking zones
- reStart function
- Timer for all zones
Acoustic signal
-
- 17 power levels
- Power boost setting
- Energy Consumption Display

Safety Features

- Automatic pan recognition
Connection current management (20, 16, 13, 10 Amps options)
Automatic safety switch off
Control panel lock
Control panel pause
- 2 stage residual heat indicators
- Main on/off switch

Power and size:

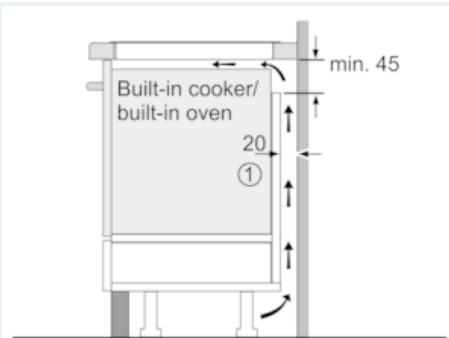
- Cooking zones: 1 x Ø 210 mmx400 mm, 3.3 KW (max. Power levels 3.7 KW) Induction or 2 x Ø 200 mm, 2.2 KW (max. Power levels 3.7 KW) Induction; 1 x Ø 210 mmx400 mm, 3.3 KW (max. Power levels 3.7 KW) Induction or 2 x Ø 200 mm, 2.2 KW (max. Power levels 3.7 KW) Induction

Technical information

- Installation measurements: 880 mmx330 mm
- Connection cable (1.1 M)
- Min. worktop thickness: 30 mm
- Connected load: 7.4 kW
- Cable included in packaging

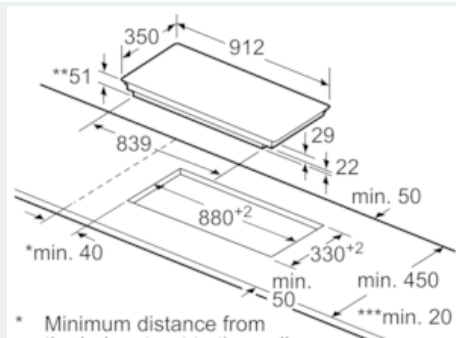
iQ700
 EX275FXB1E Induction Hob
 Stainless Steel side trim with bevelled
 front edge
 912 mm

Dimensioned drawings



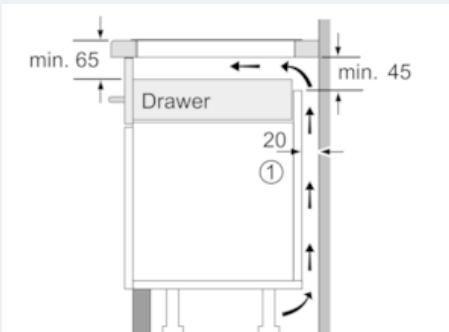
①
 Ventilation gap must
 be present

All measurements in mm



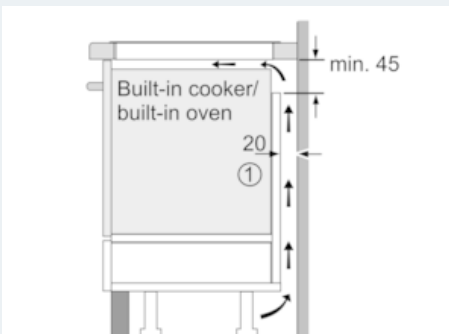
* Minimum distance from
 the hob cut-out to the wall
 ** Recessed depth
 *** With fitted oven underneath min. 30,
 possibly more; see space requirements
 for the oven

measurements in mm



①
 Ventilation gap must
 be present.

Measurements in mm



①
 Ventilation gap must
 be present

All measurements in mm