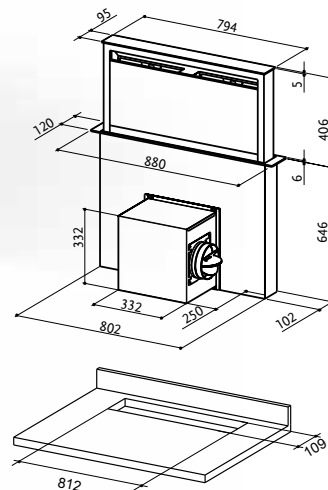


This hood rises up out of the work top providing totally discreet extraction.

Stainless Steel / White Glass



Stainless Steel / Black Glass

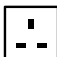



Air outlet adjustable in 4 positions, front or rear side

FABULA PLUS

FABULA PLUS EV8+ BK A90 cod. 340.0571.082
 FABULA PLUS EV8+ WH A90 cod. 340.0571.083



FEATURES	PERFORMANCE	ACCESSORIES
Finish • Stainless Steel / Black Glass • Stainless Steel / White Glass	Speed 1 2 3 4 INT	Cod. 112.0261.258
Controls EVO Touch control	Air capacity IEC point 160 290 350 439 700	F12 Fabula Charcoal filter Cod. 112.0540.043
Lighting LED lights	Pressure 100 390 460 540 560	Remote control Cod. 112.0327.008
Grease filter Cassettes dishwasher safe	Input 55 120 155 210 270	Remote blower kit Fabula Cod. 112.0470.541*
Ø of air outlet 150 / 120	Noise level 40 53 54 60 70	Rectangular Duct Recirculating Kit
Width 900 mm	INSTALLATION REQUIREMENTS	*To be purchased as an alternative to the Charcoal filter.
Energy class A	Max Load  277W	Max Width of Hob  90cm