

iQ500, Built-in freezer, 87.4 x 55.8 cm GI21VAFE0



built-in freezer with 3 handy transparent freezer drawers and superFreezing for freezing foods faster.

- ✓ Less frost formation and faster defrosting with lowFrost.
- ✓ The bigBox offers plenty of space to store and stack large frozen items efficiently.
- ✓ superFreezing - Sensors automatically reduce the temperature for a set period of time, to quickly freeze newly added food items.
- ✓ 3 transparent freezer drawers provide plenty of space and an optimum view.
- ✓ bigBox: Extra-large storage space to store frozen foods flexibly

Features

Technical Data

Energy Efficiency Class: E
 Average annual energy consumption in kilowatt hour per year (kWh/a): 176
 Sum of volume of frozen compartments: 96
 Airborne acoustical noise emissions : 36
 Airborne acoustical noise emission class: C
 Thermometer freeze section: None
 Light: No
 Product category: Upright freezer
 Construction type: Built-in
 Door panel options: Not possible
 Frost free system: No
 Height of the product (mm): 874
 Width of the appliance: 558
 Depth of the product: 545
 Dimensions of the packed product (HxWxD) (mm): 950 x 640 x 620
 Net weight (kg): 39.888
 Gross weight (kg): 42.6
 Connection rating (W): 90
 Fuse protection (A): 10
 Frequency (Hz): 50
 Approval certificates: CE, VDE
 Length of electrical supply cord (cm): 230
 Door hinge: Right reversible
 Storage Period in Event of Power Failure (h): 13
 Defrost process: manual
 Warning signal / malfunction: visual and audible
 Lockable door: No
 Number of drawers/baskets (Stck): 3
 Number of freezing flaps (Stck): 0
 EAN code: 4242003848289
 Brand: Siemens
 Product name / Commercial code: GI21VAFE0
 Product category: Upright freezer



iQ500, Built-in freezer, 87.4 x 55.8 cm GI21VAFE0

Features

Functions

- Fixed hinge
- Fixed hinge

Design features

- lowFrost - less ice creation and therefore quicker defrosting - less ice build up, faster defrosting
- SuperFreeze function with automatic deactivation
- Electronic control (LED chain)
- Freezer malfunction warning signal: optical, acoustical
- VitaControl - constant temperature by intelligent sensor technology - Constant temperature control by intelligent sensor technology

Food freshness system

- 3 transparent freezer drawers, 1 bigbox

Key features - Fridge section

- Right hinged door, reversible door
- Connection value 90 W
- 220 - 240 V

Dimension and installation

- Dimensions: 87.4 cm H x 55.8 cm W x 54.5 cm D
- Niche Dimensions: 88 cm H x 56 cm W x 55 cm D

Key features - Freezer section

- ice cube tray

Design features

Dimension and installation

Country Specific Options

- Based on the results of the standard 24-hour test. Actual consumption depends on usage/position of the appliance.

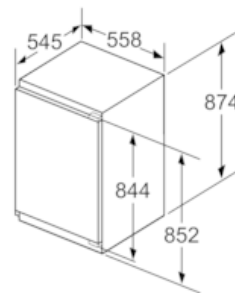
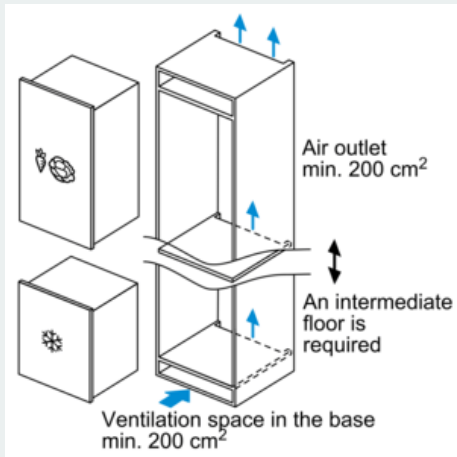
Additional features

Performance and Consumption

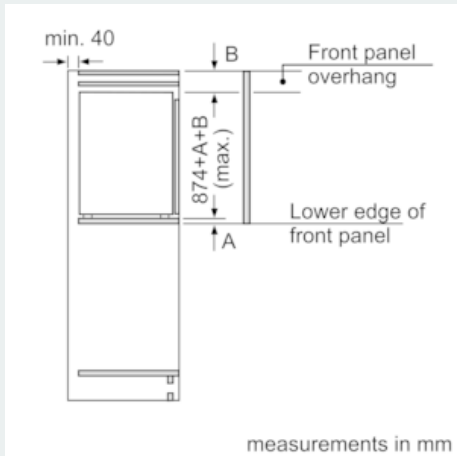
- EU19_EEK_D: E
- Total Volume : 96 l
- Net Fridge Volume : 0 l
- Net Freezer Volume : 96 l
- Freezing capacity 24h : 5 kg
- Annual Energy Consumption: 176 kWh/a
- Climate Class: SN-T
- Noise Level : 36 dB
- Temperature rise time : EU19_Temperature rise time_D: 13 H

iQ500, Built-in freezer, 87.4 x 55.8 cm GI21VAFE0

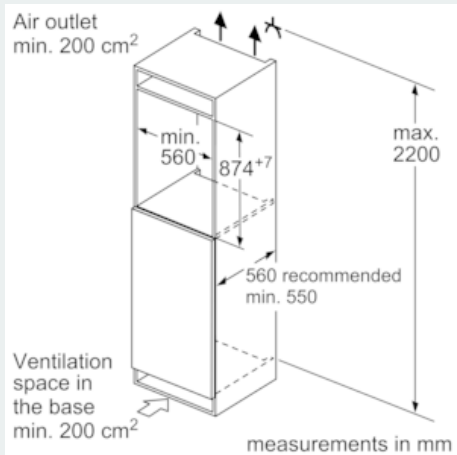
Dimensioned drawings



measurements in mm



measurements in mm



measurements in mm

measurements in mm Recommended gap dimensions for flat hinges

F	R	X
16-19	0-3	2.5
20	0-1	3
	2-3	2.5
21	0-1	3
	2-3	2.5
22	0	4
	1	3.5
	2-3	3

The gap dimensions recommended in the table must be adhered to in order to ensure that appliance doors do not collide with anything when they are opened, and to avoid causing damage to kitchen units.

Maximal permissible weight of the unit fronts

Fitted unit fronts that exceed the permissible weight may cause damage and result in functional impairment of the hinges.

Δ Weight

A Appliance door height including hinges in mm

B Undamped hinge, unit front in kg

C Damped hinge, unit front in kg

A	B	C
1500-1750	22	22
720-1400	19	19
A1	15	19
A2	15	19