

N 70, Built-in freezer, 122.1 x 55.8 cm
G17416CE0



The built-in freezer with automatic defrosting thanks to NoFrost.

- ✓ NoFrost: No more manual thawing. The air circulates to stay dry so there's no ice buildup.
- ✓ Individualize your drawers with various loading options to create the optimal fit for frozen goodies
- ✓ BigBox: An abundance of storage space even for large and bulky items.
- ✓ Softclose: When it reaches an angle of 20° the door softly closes itself.

Features

Technical Data

Energy Efficiency Class (Regulation (EU) 2017/1369) : E
 Average annual energy consumption in kilowatt hour per year (kWh/a) (EU) 2017/1369 : 206
 Sum of volume of frozen compartments (EU 2017/1369) : 130
 Airborne acoustical noise emissions (EU 2017/1369) : 36
 Airborne acoustical noise emission class (EU 2017/1369) : C
 Thermometer freeze section : Digital
 Light : No
 Product category : Upright freezer
 Construction type : Built-in
 Door panel options : Not possible
 Frost free system : Fridge and freezer
 Height of the product (mm) : 1221
 Width of the appliance : 558
 Depth of the product : 545
 Dimensions of the packed product (HxWxD) (mm) : 1290 x 640 x 620
 Net weight (kg) : 47.657
 Gross weight (kg) : 50.9
 Connection rating (W) : 120
 Current (A) : 10
 Frequency (Hz) : 50-60
 Approval certificates : CE, VDE
 Length of electrical supply cord (cm) : 230
 Door hinge : Left reversible
 Storage Period in Event of Power Failure (h) : 9
 Warning signal / malfunction : visual and audible
 Lockable door : No
 Number of drawers/baskets (Stck) : 4
 Number of freezing flaps (Stck) : 1
 EAN code : 4242004247647
 Brand : Neff
 Product name / Commercial code : G17416CE0
 Product category : Upright freezer



4 242004 247647

N 70, Built-in freezer, 122.1 x 55.8 cm
G17416CEO



COOKING PASSION SINCE 1877

Features

Functions

- Fixed hinge

Design features

- Full frost free, never have to defrost ever again
- 7 segment electronic display
- 1 compressor/1 cold circuit
- SuperFreeze function with automatic deactivation
- FreshSense - constant temperature by intelligent sensor technology - Constant temperature control by intelligent sensor technology
- Freezer malfunction warning signal: optical, acoustical

Freezer Section

- 1 hinged freezer compartment
- 4 transparent freezer drawers, 1 bigbox

Technical Information

- Left hinged door, reversible
- Connection value 120 W
- 220 - 240 V

Dimension and installation

- Niche Dimensions: 122.5 cm H x 56 cm W x 55 cm D
- Dimensions: 122.1 cm H x 55.8 cm W x 54.5 cm D

Accessories

- ice cube tray

Included accessories

- KF1413S0, KF1413Z0

Country Specific Options

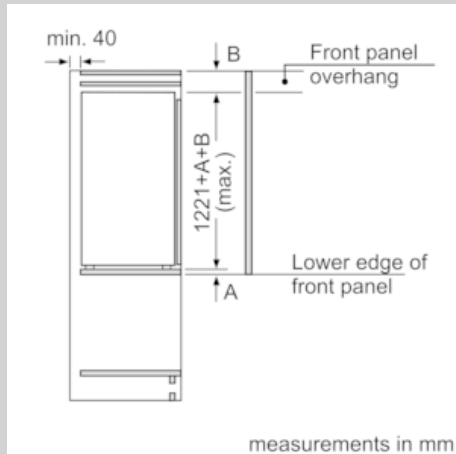
- Based on the results of the standard 24-hour test. Actual consumption depends on usage/position of the appliance.

Additional features

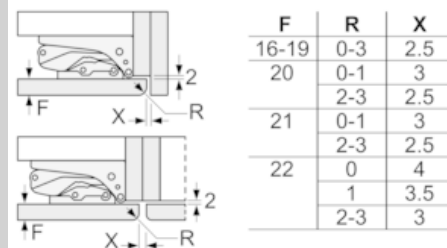
Performance and Consumption

- EU19_EEK_D: E
- Total Volume : 130 l
- Net 4* compartment volume : 130 l
- Freezing capacity 24h : 10 kg
- Annual Energy Consumption: 206 kWh/a
- Climate Class: SN-T
- Noise Level : 36 dB

Dimensioned drawings



measurements in mm
Recommended gap dimensions for flat hinges



The gap dimensions recommended in the table must be adhered to in order to ensure that appliance doors do not collide with anything when they are opened, and to avoid causing damage to kitchen units.

