

iQ500
HB535A0S0B
Single oven
Brand Value Class: IQ500



Shorten your cooking time thanks to fast preheat.

- ✓ fast preheat: reach the required cooking temperature sooner.
- ✓ ecoClean Plus: effortless cleaning thanks to a special coating of the rear wall that automatically absorbs grime.
- ✓ lightControl: intuitive operation thanks to the illuminated knob.
- ✓ cookControl10: automatic programs ensure best results.
- ✓ 3D hotAir: perfect baking results on up to 3 shelves thanks to innovative heat distribution.

Features

Technical Data

Color / Material Front : Stainless steel
 Construction type : Built-in
 Integrated Cleaning system : No
 Required niche size for installation (HxWxD) : 585-595 x 560-568 x 550
 Dimensions of the product (mm) : 595 x 594 x 548
 Dimensions of the packed product (HxWxD) (mm) : 675 x 690 x 660
 Control Panel Material : Glass
 Door Material : Glass
 Net weight (kg) : 34.2
 Usable volume of cavity (l) : 71
 Cooking method : Conventional heat, Full width grill, Heißluft sanft, Hot Air, Hot air grilling
 First cavity material : Other
 Temperature control : No control of the temperature
 Number of interior lights : 1
 Approval certificates : CE, VDE
 Length of electrical supply cord (cm) : 120
 EAN code : 4242003815212
 Number of cavities (2010/30/EC) : 1
 Energy efficiency class (2010/30/EC) : A
 Energy consumption per cycle conventional (2010/30/EC) : 0.97
 Energy consumption per cycle forced air convection (2010/30/EC) : 0.81
 Energy efficiency index (2010/30/EC) : 95.3
 Electrical connection rating (W) : 3600
 Current (A) : 16
 Voltage (V) : 220-240
 Frequency (Hz) : 60; 50
 Plug type : no plug

Included accessories

- 2 x combination grid
- 1 x universal pan

Optional accessories

- HZ638300 3 level telescopic rails, full ext



iQ500**HB535A0S0B****Single oven****Brand Value Class: IQ500****Features****Design**

- LCD Display (white)
- lightControl: intuitive operation thanks to the illuminated dials
- Cavity inner surface: Enamel grey
- Drop down oven door
- Bar handle

Features

- Heating-up indicator
- Control panel lock
- cookControl10
- Electronic oven clock timer
- 1 interior light, 1 interior halogen light
- Smooth enamelled oven interior
- 5 shelf positions in oven
- Integral cooling fan

Cleaning

- EcoClean Direct : back panel
- Full glass inner door

Programmes/functions

- 5 heating methods: 3D hot air, conventional top & bottom heating, hot air grilling, full width grill, Hotair gentle
- fast preheat function

Standard accessories

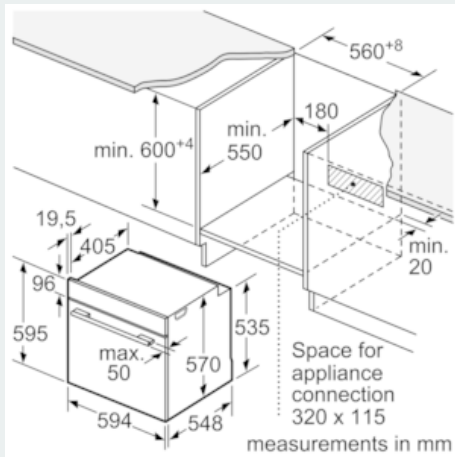
- 2 x combination grid, 1 x universal pan
- 1 varioClip rail, Stop function

Technical information

- Energy efficiency rating (acc. EU Nr. 65/2014): A
- Energy consumption per cycle in conventional mode: 95.3
- Energy consumption per cycle in fan-forced convection mode: 0.81 kwh
- Number of cavities: 1
- Cavity volume: 71 litres
- Temperature range 50 °C - 275 °C
- Total connected load electric: 3.6 KW
- Length of mains cable: 120 cm
- Nominal voltage: 220 - 240 V
- Min. fuse protection: 16 A
- Appliance dimension (hwxwd): 595 mm x 594 mm x 548 mm
- Niche dimension (hwxwd): 585 mm - 595 mm x 560 mm - 568 mm x 550 mm
- Please refer to the dimensions provided in the installation manual

iQ500
HB535A0S0B
 Single oven
 Brand Value Class: IQ500

Dimensioned drawings



Installation with a hob.

