

iQ500, Built-in oven, 60 x 60 cm, Stainless steel HB578GBS0



- ✓ fastPreheat – Heat the oven quickly. coolStart – Eliminate preheating for frozen foods.
- ✓ activeClean® – The automatic, self-cleaning oven system.
- ✓ cookControl30: automatic programs ensure best results.
- ✓ lightControl: intuitive operation thanks to the illuminated dial.
- ✓ 3D hotAir Plus – Even heat distribution on up to three levels for excellent results.

Features

Technical Data

Color / Material Front : Stainless steel
 Construction type : Built-in
 Integrated Cleaning system : Pyrolytic+Hydrolytic
 Min. required niche size for installation (HxWxD) : 585-595 x 560-568 x 550 mm
 Dimensions : 595 x 594 x 548 mm
 Dimensions of the packed product (HxWxD) : 675 x 690 x 660 mm
 Control Panel Material : Glass
 Door Material : Glass
 Net weight : 42.0 kg
 Usable volume of cavity : 71 l
 Cooking method : Bottom heat, Conventional heat, Deep-frozen food special, Full width grill, Hot Air, Hotair gentle, Hot air grilling, low temperature cooking, Pizza setting
 First cavity material : Other
 Oven control : electronic
 Number of interior lights : 1
 Length of electrical supply cord : 120 cm
 EAN code : 4242003799482
 Number of cavities (2010/30/EC) : 1
 Energy efficiency rating : A
 Energy consumption per cycle conventional (2010/30/EC) : 0.99 kWh/cycle
 Energy consumption per cycle forced air convection (2010/30/EC) : 0.81 kWh/cycle
 Energy efficiency index (2010/30/EC) : 95.3 %
 Connection rating : 3600 W
 Fuse protection : 16 A
 Voltage : 220-240 V
 Frequency : 50; 60 Hz
 Plug type : GARDY plug w/ earthing, no plug (electrical connection by electrician)
 Included accessories : 1 x enamel baking tray, 1 x combination grid, 1 x universal pan

Included accessories

- 1 x enamel baking tray
- 1 x combination grid
- 1 x universal pan

Optional accessories

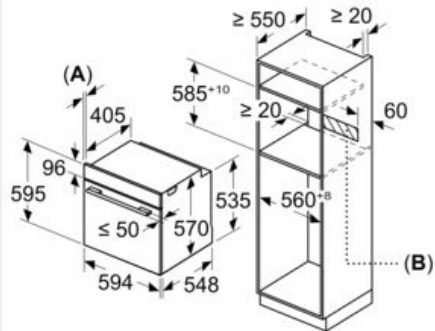
- | | |
|----------|---------------------------------------|
| HZ915003 | Glass roasting dish, 5,4 L |
| HZ638300 | 3 level telescopic rails, full ext |
| HZ636000 | Glass pan |
| HZ634000 | Baking and roasting grid (standard) |
| HZ625071 | Grill tray, anthracite enamelled |
| HZ538000 | varioClip rail |
| HZ531010 | Baking tray, non-stick ceramic coated |
| HZ531000 | Baking tray, grey enamelled |



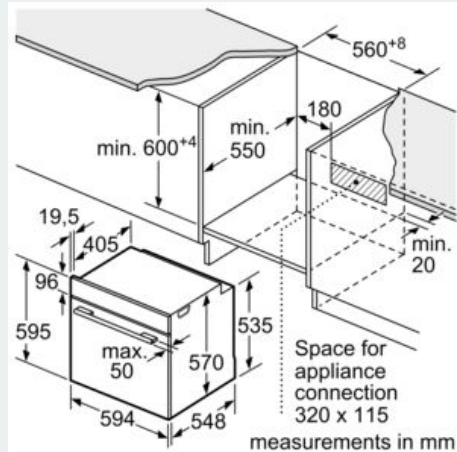
iQ500, Built-in oven, 60 x 60 cm,
Stainless steel
HB578GBS0

Dimensioned drawings

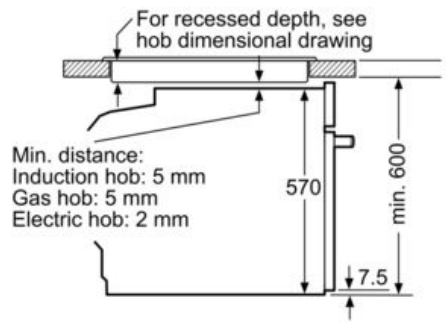
Measurements in mm



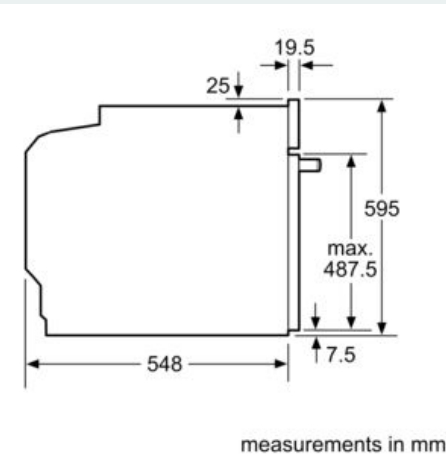
A: 19.5 mm
B: Space for appliance connection 320 x 115 mm



Installation with a hob.



measurements in mm



measurements in mm