

iQ700

Brand Value Class: IQ700

Single oven

HB672GBS1B black, stainless steel



"The oven offers modern baking and roasting convenience for best results."

- ✓ 4D hotAir: flexible choice of shelf.
- ✓ TFT Display: good readability from any perspective.
- ✓ activeClean: the automatic system for effortless cleaning.
- ✓ Energy efficiency class A+: For more efficient roasting and baking.
- ✓ softMove: gentle opening and closing of the oven door.

Features

Technical Data

Color / Material Front : Stainless steel
 Construction type : Built-in
 Integrated Cleaning system : Pyrolytic
 Required niche size for installation (HxWxD) : 585-595 x 560-568 x 550
 Dimensions of the product (mm) : 595 x 594 x 548
 Dimensions of the packed product (HxWxD) (mm) : 670 x 680 x 670
 Control Panel Material : Stainless steel
 Door Material : Glass
 Net weight (kg) : 38.0
 Usable volume of cavity (l) : 71
 Cooking method : , 4D hot air, Conventional heat, Deep-frozen food special, Full width grill, Hot Air-Eco, Hot air grilling, Pizza setting
 First cavity material : Enamelled
 Temperature control : electronic
 Number of interior lights : 1
 Approval certificates : CE, VDE
 Length of electrical supply cord (cm) : 120
 EAN code : 4242003672525
 Number of cavities (2010/30/EC) : 1
 Energy efficiency class (2010/30/EC) : A+
 Energy consumption per cycle conventional (2010/30/EC) : 0.87
 Energy consumption per cycle forced air convection (2010/30/EC) : 0.69
 Energy efficiency index (2010/30/EC) : 81.2
 Electrical connection rating (W) : 3600
 Current (A) : 16
 Voltage (V) : 220-240
 Frequency (Hz) : 60; 50
 Plug type : no plug

Included accessories

2 x combination grid, 1 x universal pan



Optional accessories

HZ6BCA0 Cookbook

iQ700

Brand Value Class: IQ700

Single oven

HB672GBS1B black, stainless steel

Features

Design

-
- Bar handle
- Cavity inner surface: Enamel anthracite

Key Information

- Pyrolytic cleaning in main oven
- 2.8" TFT Display
- Drop down oven door, softClose, softOpen
- TFT clearText display
- Digital temperature display with proposal
Actual temperature display
Heating-up indicator
Sabbath setting
- Light on/off when door opened/closed
- Control panel lock
Automatic safety switch off
Residual heat indicator
Start button
Door contact switch
- Residual heat indicator
- Control panel lock
- Info button

Features

- Electronic oven clock timer
- Main on/off switch
- Full glass inner door
- 1 interior light
- 1 interior halogen light
- 5 shelf positions in oven
- Pyrolytic proof baking tray
- Integral cooling fan

Programmes/functions

- Oven with 8 heating methods: 4D hot air, hotairEco, conventional top & bottom heating, Conventional heat ECO, hot air grilling, full width grill, Pizza setting, coolStart
- Fast pre-heating function

Performance/technical information

- Cavity volume: 71 litres
- Stainless-steel fan
- Temperature range 30 °C - 275 °C
- Maximum door temperature 30 °C
- Energy efficiency rating A+
- Energy efficiency rating (acc. EU Nr. 65/2014):
Energy consumption per cycle in conventional mode: 81.2
Energy consumption per cycle in fan-forced convection mode: 0.69
kwh
Number of cavities: 1
Cavity volume: 71 litres
- Length of mains cable: 120 cm
- Total connected load electric: 3.6 KW
- Appliance dimension (hxwxd): 595 mm x 594 mm x 548 mm
- Niche dimension (hxwxd): 585 mm - 595 mm x 560 mm - 568 mm
x 550 mm
- Please refer to the dimensions provided in the installation manual

Standard accessories

- 2 x combination grid, 1 x universal pan
-

iQ700

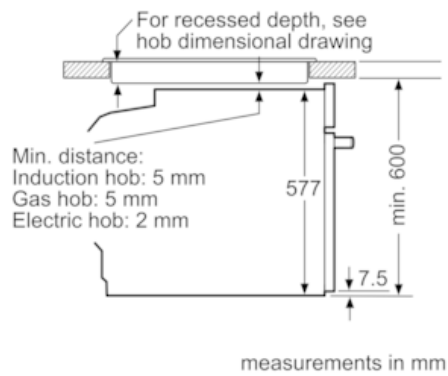
Brand Value Class: IQ700

Single oven

HB672GBS1B black, stainless steel

Dimensioned drawings

Installation with a hob.



If the appliance will be installed underneath a hob, the following worktop thicknesses (including substructure if necessary) must be taken into account.

Hob type	min. worktop thickness	
	fitted	flush
Induction hob	37 mm	38 mm
Full surface Induction hob	47 mm	48 mm
Gas hob	30 mm	38 mm
Electric hob	27 mm	30 mm

