

**Serie | 4, Built-in oven, 60 x 60 cm,
Black
HBS573BB0B**

A



Included accessories

2 x combination grid
1 x universal pan
1 x Universal pan
slim size

Optional accessories

HEZ327000 : Pizza stone
HEZ530000 : Half tray
HEZ531000 : Baking tray, grey enamelled
HEZ531010 : Baking tray, non-stick ceramic coated
HEZ538000 : 1fold telescopic rail, level independent
HEZ625071 : Grill tray, anthracite enamelled
HEZ634000 : Baking and roasting grid (standard)
HEZ636000 : Glass pan
HEZ638300 : 3 level telescopic rails, full ext
HEZ915003 : Glass roasting dish, 5,4 L

**The built-in oven with AutoPilot:
automatically prepares perfect dishes.**

- **3D Hotair:** even heat distribution for perfect results on up to three levels.
- **AutoPilot 10:** every dish is a perfect success thanks to 10 pre-set automatic programmes.
- **Red LED display control:** easy-to-use thanks to the time functions.
- **Pop-out controls:** Make the front of the oven easy to clean and give it a sleek look.
- **Pyrolytic self-cleaning:** effortless cleaning thanks to pyrolytic cleaning programmes

Technical Data

Color / Material Front :	Black
Construction type :	Built-in
Integrated Cleaning system :	Pyrolytic
Required niche size for installation (HxWxD) :	585-595 x 560-568 x 550
Dimensions :	595 x 594 x 548
Dimensions of the packed product (HxWxD) (mm) :	675 x 690 x 670
Control Panel Material :	Glass
Door Material :	Glass
Net weight (kg) :	38.895
Usable volume of cavity (l) :	71
Cooking method :	Conventional
heat, Full width grill, Hot Air, Hotair gentle, Hot air grilling	
First cavity material :	Other
Oven control :	electronic
Number of interior lights :	1
Approval certificates :	CE, VDE
Length of electrical supply cord (cm) :	120
EAN code :	4242005285297
Number of cavities (2010/30/EC) :	1
Energy efficiency rating :	A
Energy consumption per cycle conventional (2010/30/EC) :	0.99
Energy consumption per cycle forced air convection (2010/30/EC) :	0.81
Energy efficiency index (2010/30/EC) :	95.3
Connection rating (W) :	2990
Current (A) :	13
Voltage (V) :	220-240
Frequency (Hz) :	50; 60
Plug type :	no plug



Serie | 4, Built-in oven, 60 x 60 cm, Black HBS573BB0B

**The built-in oven with AutoPilot:
automatically prepares perfect dishes.**

Design

- LED-display control (red)
- Rotary dial, Retractable control dials, round
- 5 shelf positions
- Straight bar handle

Features

- Electronic clock timer
- Heating-up indicator
AutoPilot
Automatic start
- Electronic door lock
Control panel lock
Automatic safety switch off
- AutoPilot, 10
- Automatic programmes
- Interior halogen light, Light on/off when oven door opened/
closed
- Integral cooling fan

Cleaning

- Pyrolytic self-cleaning function
- Full glass inner door

Programmes/functions

- Oven with 5 cooking functions: heating methods: 3D Hotair,
conventional top and bottom heat, Hotair grilling, full width
variable grill, Hotair gentle
- Fast pre-heating function
- Temperature range 50 °C - 275 °C

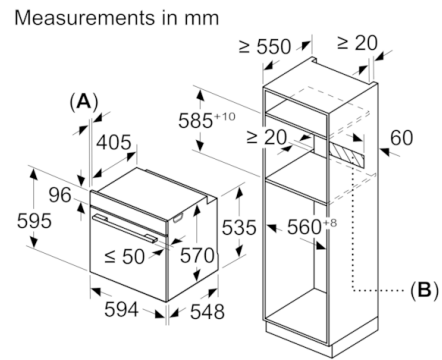
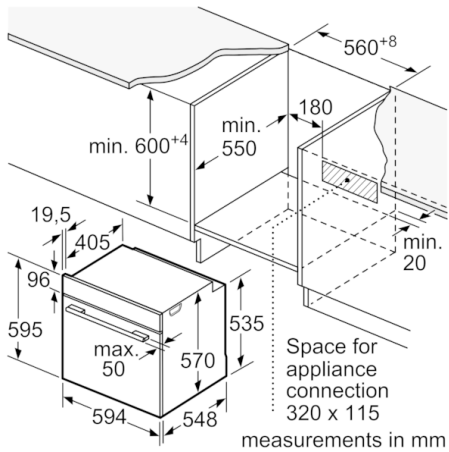
Accessories

- 2 x combination grid, 1 x universal pan, 1 x Universal pan, slim
size

Technical information

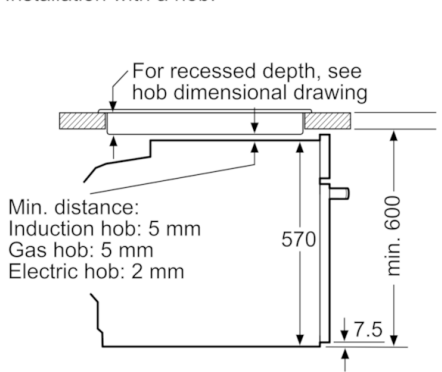
- Energy efficiency rating (acc. EU Nr. 65/2014): A
Energy consumption per cycle in conventional mode: 0.99
kWh
Energy consumption per cycle in fan-forced convection mode:
0.81 kWh
Number of cavities: Main cavity
Heat source: electrical
Cavity volume: 71 litre capacity
- Total connected load electric: 2.99 KW
- 120 cm Cable length
- Nominal voltage: 220 - 240 V
- Appliance dimension (hxwxd): 595 mm x 594 mm x 548 mm
- Niche dimension (hxwxd): 585 mm - 595 mm x 560 mm - 568
mm x 550 mm
- Please refer to the dimensions provided in the installation
manual

**Serie | 4, Built-in oven, 60 x 60 cm, Black
HBS573BB0B**

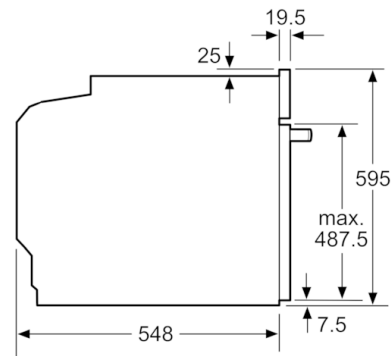


A: 19.5 mm
B: Space for appliance connection 320 x 115 mm

Installation with a hob.



measurements in mm



measurements in mm