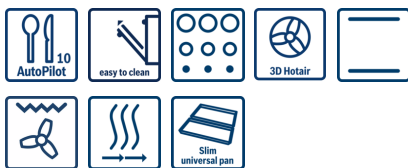


Serie | 4
**HBS573BS0B
Single Oven**

**The built-in oven with AutoPilot:
automatically prepares perfect dishes.**

- **3D Hotair:** perfect results thanks to optimal distribution of heat on up to 3 levels simultaneously.
- **AutoPilot 10:** every dish is a perfect success thanks to 10 pre-set automatic programmes.
- **LED display control, red:** easy-to-use thanks to the time functions.
- **Pyrolytic self-cleaning:** no cleaning effort thanks to automatic self-cleaning.
- Easy to clean grey enamel interior
- **Slim Universal Pans:** 2 universal pans, slim size; optimised for smaller dishes

Technical Data

| | |
|---|-------------------------------|
| Color / Material Front : | Stainless steel |
| Construction type : | Built-in |
| Integrated Cleaning system : | Pyrolytic |
| Required niche size for installation (HxWxD) : | 585-595 x 560-568 x 550 |
| Dimensions of the product (mm) : | 595 x 594 x 548 |
| Dimensions of the packed product (HxWxD) (mm) : | 675 x 690 x 660 |
| Control Panel Material : | Stainless steel |
| Door Material : | Glass |
| Net weight (kg) : | 38.9 |
| Usable volume of cavity (l) : | 71 |
| Cooking method : | Conventional |
| heat, Full width grill, Heißluft sanft, Hot Air, Hot air grilling | |
| First cavity material : | Other |
| Temperature control : | No control of the temperature |
| Number of interior lights : | 1 |
| Approval certificates : | CE, VDE |
| Length of electrical supply cord (cm) : | 120 |
| EAN code : | 4242005034161 |
| Number of cavities (2010/30/EC) : | 1 |
| Energy efficiency class (2010/30/EC) : | A |
| Energy consumption per cycle conventional (2010/30/EC) : | 0.99 |
| Energy consumption per cycle forced air convection (2010/30/EC) : | 0.81 |
| Energy efficiency index (2010/30/EC) : | 95.3 |
| Electrical connection rating (W) : | 2990 |
| Current (A) : | 13 |
| Voltage (V) : | 220-240 |
| Frequency (Hz) : | 50; 60 |
| Plug type : | no plug |

Included accessories

2 x combination grid
1 x universal pan
2 x Universal pan
slim size

Optional accessories

HEZ538000 : 1fold telescopic rail, level independent



Serie | 4 Ovens

HBS573BS0B

Single Oven

**The built-in oven with AutoPilot:
automatically prepares perfect dishes.**

Design

- LED-display control (red)
- Drop down door
- Retractable control dials, Rotary dial
- Straight bar handle
- Cavity inner surface: Enamel grey

Features

- Automatic start
Heating-up indicator
AutoPilot
- Electronic door lock
Control panel lock
Automatic safety switch off
- AutoPilot10
- Electronic clock timer
- Halogen interior light
- 5 shelf positions

Cleaning

- Pyrolytic self-cleaning function
- Full glass inner door

Programmes/functions

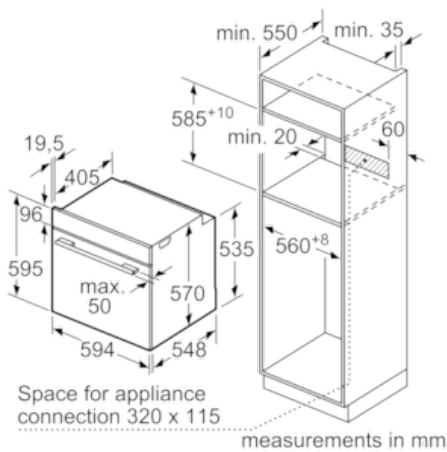
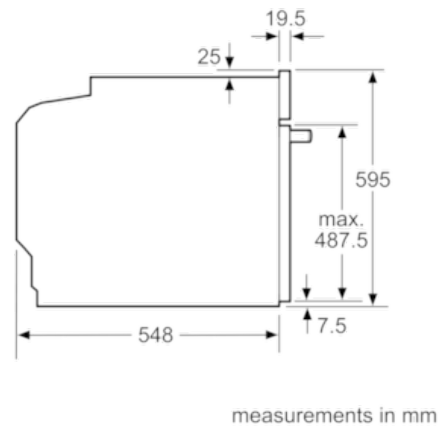
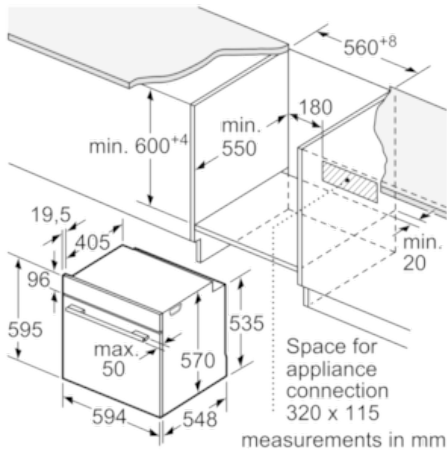
- Oven with 5 heating methods: 3D hot air, conventional top and bottom heat, Hotair grilling, full width variable grill, Hotair gentle
- Fast pre-heating function

Standard accessories

- 2 x combination grid, 1 x universal pan, 2 x Universal pan, slim size

Performance/technical information

- Energy efficiency rating (acc. EU Nr. 65/2014): A
Energy consumption per cycle in conventional mode: 95.3
Energy consumption per cycle in fan-forced convection mode: 0.81 kwh
Number of cavities: 1
Cavity volume: 71 litre capacity
- Temperature range 50 °C - 275 °C
- Integral cooling fan
- Length of mains cable: 120 cm
- Total connected load electric: 2.99 KW
- Nominal voltage: 220 - 240 V
- Appliance dimension (hxwxh): 595 mm x 594 mm x 548 mm
- Niche dimension (hxwxh): 585 mm - 595 mm x 560 mm - 568 mm x 550 mm
- Please refer to the dimensions provided in the installation manual

Serie | 4 Ovens
HBS573BS0B
Single Oven


Installation with a hob.

