

**Serie | 2, Built-in oven, Stainless steel
HHF133BS0B**



A



The built-in oven with 3D hot air: achieve perfect baking and roasting results on up to three levels simultaneously.

- **3D Hotair:** perfect results thanks to optimal distribution of heat on up to 3 levels simultaneously.
- **Red LED display control:** easy-to-use thanks to clear time display.
- **Pop-out controls:** for an easy to clean front.
- **EcoClean Direct:** almost no cleaning is necessary thanks to a special coating of the rear wall that cleans itself

Technical Data

Color / Material Front :	Stainless steel
Construction type :	Built-in
Integrated Cleaning system :	Catalytic partial
Required niche size for installation (HxWxD) :	575-597 x 560-568 x 550
Dimensions of the product (mm) :	595 x 594 x 548
Dimensions of the packed product (HxWxD) (mm) :	670 x 680 x 650
Control Panel Material :	Stainless steel
Door Material :	Glass
Net weight (kg) :	32.227
Usable volume of cavity (l) :	66
Cooking method :	Full width variable grill, Hot Air, Hot air grilling
First cavity material :	Other
Oven control :	mechanical
Number of interior lights :	1
Approval certificates :	CE, VDE
Length of electrical supply cord (cm) :	100
EAN code :	4242005048359
Number of cavities (2010/30/EC) :	1
Energy efficiency class (2010/30/EC) :	A
Energy consumption per cycle forced air convection (2010/30/EC) :	0.79
Energy efficiency index (2010/30/EC) :	95.2
Connection rating (W) :	2400
Current (A) :	13
Voltage (V) :	220-240
Frequency (Hz) :	60; 50
Plug type :	GB plug

Included accessories

- 1 x insert grid
- 1 x combination grid
- 1 x universal pan

Optional accessories

- HEZ327000 : Pizza stone
- HEZ625071 : Grill tray, anthracite enamelled
- HEZ915003 : Glass roasting dish, 5,4 L



4 242005 048359

Serie | 2, Built-in oven, Stainless steel HHF133BS0B

The built-in oven with 3D hot air: achieve perfect baking and roasting results on up to three levels simultaneously.

Design

- LED-Display Control (Red)

Features

- Control panel lock
- Electronic clock timer
- Interior halogen light

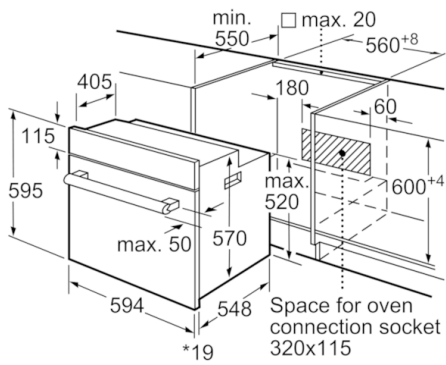
Cleaning

- EcoClean Direct : back panel

Programmes/functions

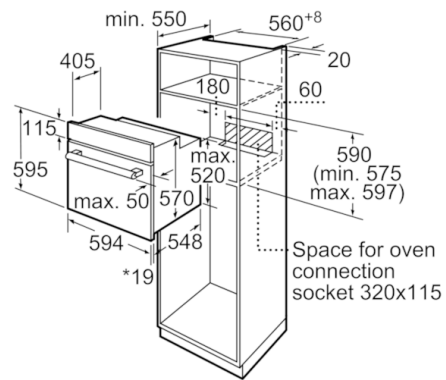
- Oven with 4 cooking functions: heating methods: 3D Hotair, Hotair grilling, Hotair gentle, full width variable grill
- 1 x universal pan, 1 x combination grid, 1 x insert grid
- Integral cooling fan
- Power cord length 100 cm Cable length
- Total connected load electric: 2.4 KW
- Nominal voltage: 220 - 240 V
- Appliance dimension (hxwxd): 595 mm x 594 mm x 548 mm
- Niche dimension (hxwxd): 575 mm - 597 mm x 560 mm - 568 mm x 550 mm
- Please refer to the dimensions provided in the installation manual

**Serie | 2, Built-in oven, Stainless steel
HHF133BS0B**



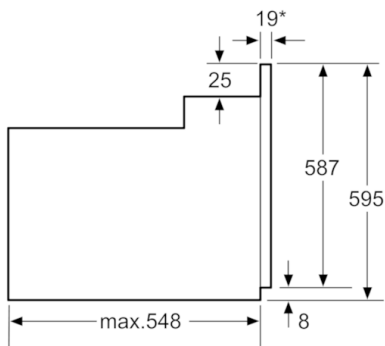
* 20 mm for metal fascias

measurements in mm



* 20 mm for metal fascias

measurements in mm



* 20 mm for metal fascias

Dimensions in mm