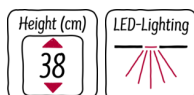


N 50
BUILT-IN MICROWAVE OVEN
HLAWD23NOB



COOKING PASSION SINCE 1877



Always in service and yet out of sight: our microwave oven for your 38 cm wall cabinet.

- ✓ Automatic programmes - Your kitchen helper with just the right default settings.
- ✓ 800 Watt - In case time is an issue - go ahead with the 800 Watt power of your microwave.
- ✓ LED lights - Bright illumination exactly where you need it.
- ✓ 1-touch buttons - Intuitive control - Quickly and easily select the required options using the touch key controls
- ✓ Side-opening hinged door - A smart twist for the elevated installation.

Features

Technical Data

Type of micro-wave oven : MW only
Type of control : Electronic
Color / Material Front : Black
Dimensions of the product (mm) : 382 x 594 x 317
Cavity dimensions (mm) : 201.0 x 308.0 x 282.0
Length of electrical supply cord (cm) : 130
Net weight (kg) : 16.2
Gross weight (kg) : 18.0
EAN code : 4242004222774
Maximum micro-wave power (W) : 800
Connection rating (W) : 1270
Current (A) : 10
Voltage (V) : 230-240
Frequency (Hz) : 50
Plug type : GB plug



4 242004 222774

N 50
BUILT-IN MICROWAVE OVEN
HLAWD23NOB

Features

Design

- LED display (white)
- Retractable control dials, Start button, Touch control
- electronic clock
- Left hinged door
- Open Button, electronic

Features

- automatic programmes: 7
- 4 defrost and 3 cooking programmes in microwave function
- LED light
- 25.5 cm Glass turntable
- Automatic safety switch off
Door contact switch
- Cooling fan

Programmes/functions

- 5 power level microwave
90-180-360-600-800 Watts
- Memory function

Accessories

- 1 x Turntable

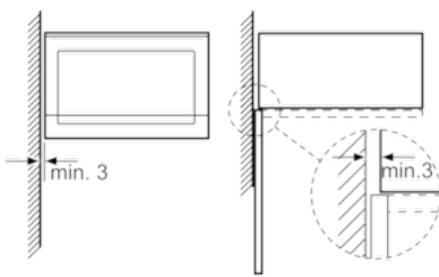
Technical information

- Cavity volume: 20 l
- Length of mains cable: 130 cm
- Total connected load electric: 1.27 KW
- Nominal voltage: 230 - 240 V
- Frameless installation recommended for wall units, but also suitable for tall housing
- Appliance dimension (hxwx): 382 mm x 594 mm x 317 mm
- Niche dimension (hxwx): 362 mm - 365 mm x 560 mm - 568 mm x 300 mm
- Please refer to the dimensions provided in the installation manual

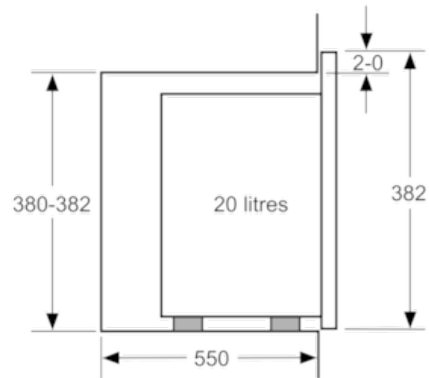
N 50
 BUILT-IN MICROWAVE OVEN
 HLAWD23NOB

Dimensioned drawings

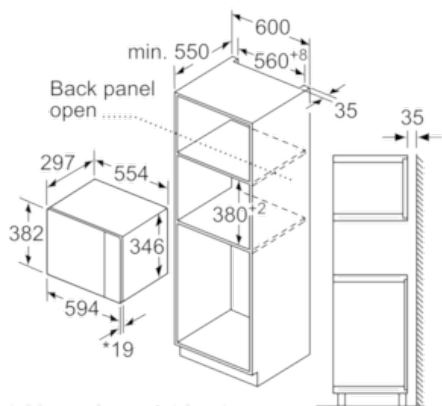
Microwave,
 corner installation



Measurements in mm

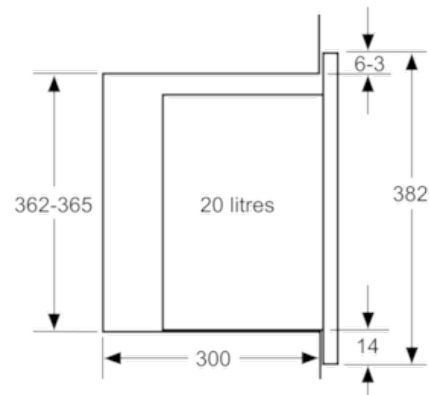


measurements in mm

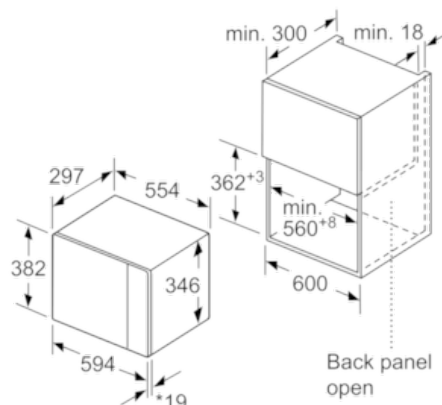


* 20 mm for metal fascia

measurements in mm



measurements in mm



* 20 mm for metal fascia

measurements in mm