

iQ700
Brand Value Class: IQ700
Oven with microwave
HM676G0S6B



The oven with a built-in microwave and sensors for quick, perfect combination cooking.

- ✓ varioSpeed: reduce cooking times by up to 50%.
- ✓ TFT Touchdisplay: user-friendly menu navigation with good display features.
- ✓ activeClean: the automatic system for effortless cleaning.
- ✓ Connect: Access and control your oven, no matter where you are - with the easy-to-use Home Connect App
- ✓ softMove: gentle opening and closing of the oven door.

Features

Technical Data

Type of micro-wave oven : MW-Combi
 Type of control : Electronic
 Color / Material Front : Stainless steel
 Dimensions of the product (mm) : 595 x 594 x 548
 Cavity dimensions (mm) : 357.0 x 480 x 392.0
 Length of electrical supply cord (cm) : 120
 Net weight (kg) : 44.0
 Gross weight (kg) : 47.0
 EAN code : 4242003765906
 Maximum micro-wave power (W) : 800
 Connection rating (W) : 3600
 Current (A) : 16
 Voltage (V) : 220-240
 Frequency (Hz) : 60; 50
 Plug type : no plug

Included accessories

2 x combination grid
 1 x universal pan



Optional accessories

HZ6MCF0 Cookbook

iQ700

Brand Value Class: IQ700

Oven with microwave

HM676G0S6B

Features

Design

-
- Bar handle
- Cavity inner surface: Enamel anthracite

Key Information

- Pyrolytic cleaning in main oven
- 3.7" TFT touchDisplay
- Drop down oven door, softClose, softOpen
- TFT clearText display
- Digital temperature display with proposal
Actual temperature display
Heating-up indicator
Sabbath setting
- Light on/off when door opened/closed
- Electronic door lock
Control panel lock
Automatic safety switch off
Residual heat indicator
Start button
Door contact switch
- Residual heat indicator
- Control panel lock

Features

- Electronic oven clock timer
- Main on/off switch
- Microwave top door
- 1 interior light
- LED light
- Smooth enamelled oven interior
- 5 shelf positions in oven
- Integral cooling fan

Programmes/functions

- Oven with microwave with 13 heating methods: 4D hot air, hotairEco, conventional top & bottom heating, Conventional heat ECO, hot air grilling, full width grill, half width grill, Pizza setting, coolStart, bottom heat, low temperature cooking, keep warm, plate warming
- Additional heating methods with microwave: Microwave, Combi microwave variable
- Fast pre-heating function
- cookControl Plus

Performance/technical information

- Cavity volume: 67 litres
- Microwave inverter technology
- Temperature range 30 °C - 300 °C
- Maximum door temperature 30 °C
- Max. Power: 800 W; 5 Microwave power settings (90 W, 180 W, 360 W, 600 W, 800 W) with Inverter (MW)
- Length of mains cable: 120 cm
- Total connected load electric: 3.6 KW
- Appliance dimension (hxwxh): 595 mm x 594 mm x 548 mm
- Niche dimension (hxwxh): 585 mm - 595 mm x 560 mm - 568 mm x 550 mm
- Please refer to the dimensions provided in the installation manual

Standard accessories

- 2 x combination grid, 1 x universal pan
- 1 level telescopic shelf, standard extension

iQ700

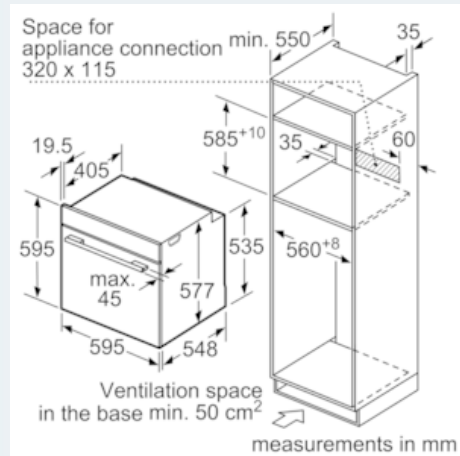
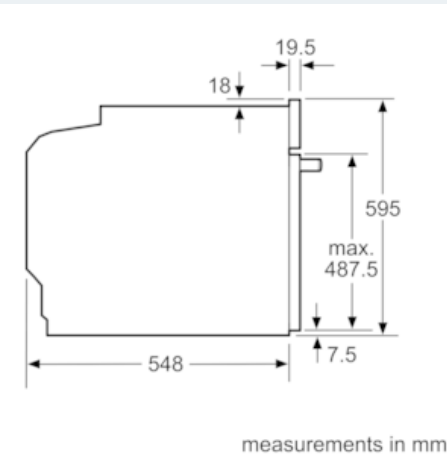
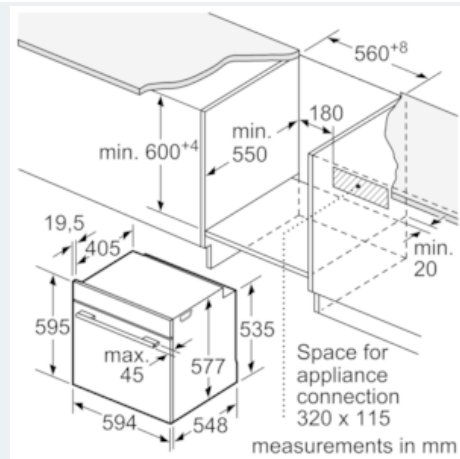
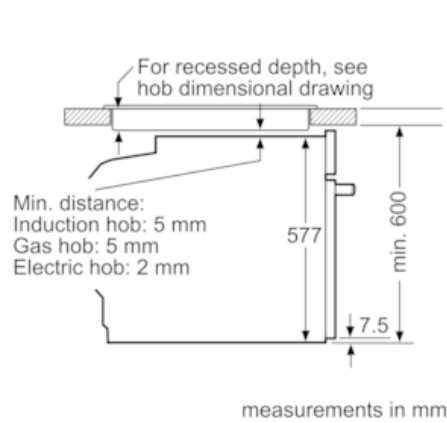
Brand Value Class: IQ700

Oven with microwave

HM676G0S6B

Dimensioned drawings

Installation with a hob.



If the appliance will be installed underneath a hob, the following worktop thicknesses (including substructure if necessary) must be taken into account.

Hob type	min. worktop thickness	
	fitted	flush
Induction hob	37 mm	38 mm
Full surface Induction hob	47 mm	48 mm
Gas hob	30 mm	38 mm
Electric hob	27 mm	30 mm