

N 70, Ceiling cooker hood, 105 cm, White
I14RBQ8W0



The Plug&Play ceiling ventilation: for a simple and space-saving solution, with perfect installation in open plan kitchens.

- ✓ Hob-Hood Control: conveniently control the hood directly from the hob (with Wi-Fi enabled hob)
- ✓ Dimmer Function – dim the LED light conveniently with the button on the remote control
- ✓ Remote Control – comfortably control the ceiling hood with a remote
- ✓ EfficientDrive: save energy and enjoy a quieter kitchen thanks to efficient brushless motor technology
- ✓ Intensive speed setting: increases the extraction rate when the steam gets intense

Features

Technical Data

Approval certificates : CE, VDE
Length of electrical supply cord (cm) : 0
Minimum distance above an electric hob : 650
Minimum distance above a gas hob : 650
Net weight (kg) : 35.711
Type of control : Electronic
Number of speed settings : 3-stage + 2 intensive
Boost position output recirculating (m³/h) : 580.0
Maximum output recirculating air (m³/h) : 409
Number of lights (Stck) : 4
Grease filter material : Washable stainless steel
EAN code : 4242004234784
Connection rating (W) : 172
Voltage (V) : 220-240
Frequency (Hz) : 50; 60
Plug type : no plug
Installation type : Island

Optional accessories

Z52|XB1X6 Clean Air Plus odor filter (replacement)
Z52|XP0X0 Long Life odor filter (replacement)



N 70, Ceiling cooker hood, 105 cm, White

114RBQ8W0

Features

Special features

- Hob-Hood control (with Wi-Fi enabled hob)
- Voice Control enabled via popular voice assistants (only in countries where this service is available)
- Remote Monitoring and Control for connected home appliances and operation via smartphone or tablet (only in countries where Home Connect service is available)
- The Home Connect functionality can be extended by integrating numerous applications from external cooperation partners (partnerships)
- Adjustable color temperature (2.700 K - 5.000 K) for adaption to the room lighting available via Home Connect

Features

- 3 power levels and 2 intensive settings
- Automatic intensive revert (6mins)
- Automatic after running (Automatic after running (10 minutes))
- 4 x 3W LED lights
- softLight with dimmer function
- Silence function: available via Home Connect
- Interval operation
- 3 metal grease filter cassettes
- Saturation indicator for metal and charcoal filter

Design

- For ceiling mounted installation
- Electronic controls

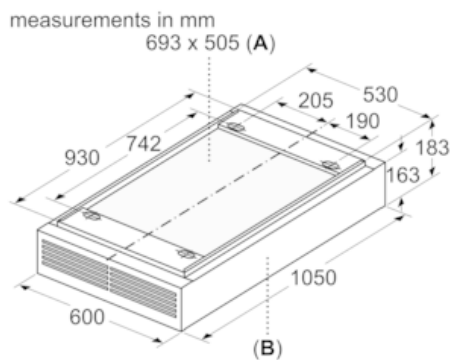
Performance/technical information

- Suitable for recirculated extraction
- For recirculated extraction charcoal filter (accessory) needed
- Max. extraction rate: 580 m³/h
- Extraction rate in recirculation mode with Clean Air Plus odor filter:
Max. normal use: 409 m³/h Intensive: 580 m³/h Noise level in recirculation mode with Clean Air Plus odor filter : Max. normal use: 68 dB(A) re 1 pW Intensive: 76 dB(A) re 1 pW
- Power rating: 172 W
- Light Intensity: 818 lux
- Colour Temperature: 3500 K
- Electrical cable length 0 m
- Dimensions recirculating (HxWxD): 183-183 x 1050 x 600 mm
- Lighting Efficiency Class: A*

* In accordance with the EU-Regulation No 65/2014

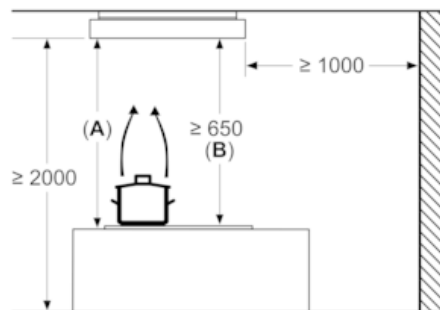
N 70, Ceiling cooker hood, 105 cm, White
114RBQ8W0

Dimensioned drawings



- A: Area for cable outlet on the ceiling
- B: Front of appliance

measurements in mm



- A: Optimum performance up to 1500 mm
- B: From upper edge of pan support