

N 30, Built-in double oven, Stainless steel  
J1GCCOANOB



COOKING PASSION SINCE 1877



B



Built-in oven with CircoTherm® - The award-winning hot air system from Neff

Built under double oven - twice as flexible, twice as fast - bake or roast multiple dishes at the same time.

√ CircoTherm® - the unique hot air-system for simultaneous baking and roasting on up to 3 levels

#### Features

##### Technical Data

Color / Material Front : Stainless steel  
 Construction type : Built-in  
 Integrated Cleaning system : No  
 Dimensions of the product (mm) : 717 x 594 x 550  
 Dimensions of the packed product (HxWxD) (mm) : 790 x 690 x 660  
 Control Panel Material : Stainless steel  
 Door Material : Glass  
 Net weight (kg) : 41.522  
 Usable volume of cavity (l) : 47  
 Cooking method : Conventional heat, Full width grill, Hot Air, Hotair gentle, Hot air grilling  
 Temperature control : No control of the temperature  
 Number of interior lights : 1  
 Approval certificates : CE, VDE  
 EAN code : 4242004234142  
 Energy efficiency class (2010/30/EC) : A  
 Energy consumption per cycle conventional (2010/30/EC) : 0.84  
 Energy consumption per cycle forced air convection (2010/30/EC) : 0.71  
 Energy efficiency class (2010/30/EC) - cavity 2 : B  
 Energy consumption per cycle conventional - cavity 2 (2010/30/EC) : 0.83  
 Energy efficiency index (2010/30/EC) : 94.7  
 Energy efficiency index cavity 2 (2010/30/EC) : 120.3  
 Electrical connection rating (W) : 5300  
 Current (A) : 25  
 Voltage (V) : 220-240  
 Frequency (Hz) : 50  
 Plug type : fixed connection, no plug

#### Included accessories

1 x combination grid, 1 x universal pan

#### Optional accessories

Z11AB15A0 Baking tray, non-stick ceramic coated  
 Z11CB10E0 Baking tray, grey enamelled  
 Z11CR10X0 Baking and roasting grid (standard)  
 Z11GT10X3 Glass roasting dish, 5,4l  
 Z11TI15X0 Cliprails  
 Z12CQ10A0 Grill tray, anthracite enamelled  
 Z1913X0 Baking Stone



4 242004 234142

# N 30, Built-in double oven, Stainless steel

## J1GCC0ANOB

### Features

#### Design

- Retractable control dials, Bevelled oval controls
- Bar handle

#### Main Lower oven

- Oven capacity: 47 litre
- Available as an accessory
- Control panel lock
- Smooth cavity interior, Shelf support rails
- Cavity (inner surface) bottom: Enamel grey
- Interior halogen light

#### Programmes/functions

- 5 heating methods: CircoTherm®, Top/bottom heat, Hot air grilling, Full surface grill, CircoTherm® gentle
- Manual rapid heating up

#### Cleaning

- Full glass inner door

#### Secondary top oven

- Cavity volume: 34 Litre
- Interior halogen light
- Cavity (inner surface) top: Enamel grey

#### Programmes/functions

- Oven with 3 heating methods: Top/bottom heat, Full surface grill, Small area grill

#### Cleaning

#### Standard accessories

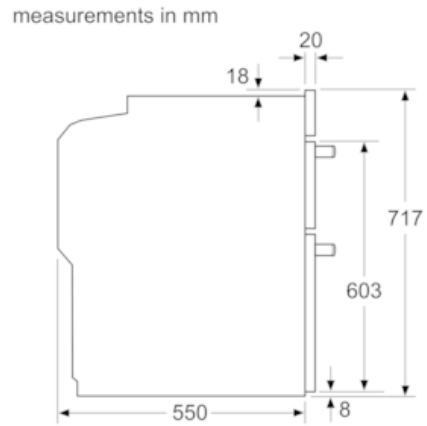
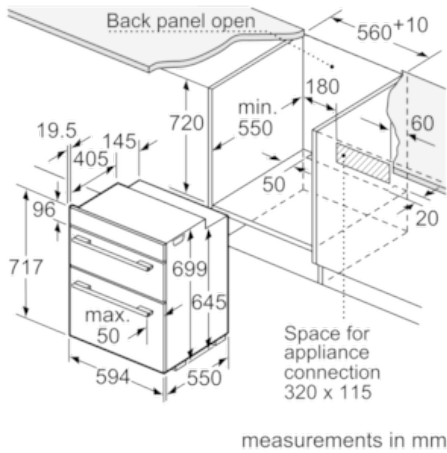
- 1 x combination grid, 1 x universal pan
- Available as an accessory

#### Performance/technical information

- Energy efficiency rating (acc. EU Nr. 65/2014): A  
Energy consumption per cycle in fan-forced convection mode: 0.71 kwh  
Number of cavities: Main cavity  
Heat source: electrical  
Cavity volume: 47 litre
- Energy efficiency rating (acc. EU Nr. 65/2014): B  
Energy consumption per cycle conventional mode: 0.83 kwh  
Number of cavities: Top Cavity  
Heat source: electrical  
Cavity volume: 34 Litre
- Nominal voltage: 220 - 240 V
- Appliance dimension (hxwxh): 717 mm x 594 mm x 550 mm
- Please refer to the dimensions provided in the installation manual

N 30, Built-in double oven, Stainless steel  
J1GCC0AN0B

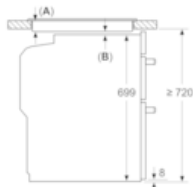
Dimensioned drawings



measurements in mm  
If the appliance will be installed underneath a hob, the following worktop thicknesses (including substructure if necessary) must be taken into account.

Hob type	min. worktop thickness	
	fitted	flush
Induction hob	39	40
Full-surface induction hob	49	50
Gas hob	29	40
Electric hob	29	32

measurements in mm  
installation with a hob



A: Recessed depth 29-50 mm.  
See hob dimensional drawing.  
B: Min. distance:  
Induction hob: 5 mm  
Gas hob: 5 mm  
Electric hob: 2 mm