

N 70, Built-in fridge, 177.5 x 56 cm
KI1813FE0G



COOKING PASSION SINCE 1877



The Built-In fridge keeps food fresher for longer and offers lots of extra space for bottles and all kinds of groceries.

- ✓ FreshSafe 2: High humidity and a temperature of +4°C mean that nutrients are retained.
- ✓ FreshSafe: Stores your fruit and vegetables safely
- ✓ EasyAccess Shelf: Provides better organization, with a clearer view and better access to foods.
- ✓ VarioShelf: The glass shelf can be divided and one half pushed beneath the other, for flexible interior configurations.
- ✓ Adjustable Glass Shelves – Height adjustable shelves create the space you need for inspiring dishes in your fridge

Features

Technical Data

Energy Efficiency Class (Regulation (EU) 2017/1369) : E
 Average annual energy consumption in kilowatt hour per year (kWh/a) (EU) 2017/1369 : 115
 Sum of volume of frozen compartments (EU 2017/1369) : 0
 Sum of volume of chill compartments (EU 2017/1369) : 319
 Airborne acoustical noise emissions (EU 2017/1369) : 37
 Airborne acoustical noise emission class (EU 2017/1369) : C
 Construction type : Built-in
 Door panel options : Not possible
 Height (mm) : 1772
 Width of the appliance : 558
 Depth of the product : 545
 Required niche size for installation (HxWxD) : 1775.0 x 560 x 550
 Net weight (kg) : 61.342
 Connection rating (W) : 90
 Current (A) : 13
 Door hinge : Right reversible
 Voltage (V) : 220-240
 Frequency (Hz) : 50
 Approval certificates : CE, G-Mark, VDE
 Length of electrical supply cord (cm) : 230
 Number of compressors : 1
 Number of independent cooling systems : 1
 Interior ventilator : Yes
 Reversible Door Hinge : Yes
 Number of Adjustable Shelves in fridge compartment (Stck) : 5
 Shelves for Bottles : No
 EAN code : 4242004251545
 Brand : Neff
 Product name / Commercial code : KI1813FE0G
 Product category : Refrigerator
 Frost free system : No
 Installation type : Full-integrated

Optional accessories

Z10020 Bottle Rack



4 242004 251545

Features

Design features

- Automatic defrost fridge
- Touchcontrol- Electronic - LED Electronic control
- Right hinged door, reversible

Freshness System

- FreshSense - constant temperature by intelligent sensor technology - Constant temperature control by intelligent sensor technology

Key features - Fridge section

- 1 FreshSafe 2 drawer on telescopic rails; High humidity retains nutrients up to twice as long.
- 1 FreshSafe drawer on rails - The ideal place to store your fruit and vegetables safely.
- Bright interior LED fridge light
- Super Cooling: automatic deactivation
- 7 safety glass shelves (5 height adjustable)
- 6 door trays, including 1x dairy compartment
- BottleFlex Shelf
- bottle holder in door tray

Functions

- Acoustic door open warning indicator

Dimension and installation

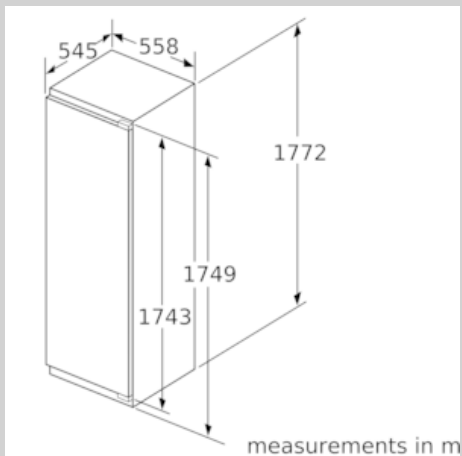
- Easy Installation
- Connection value 90 W
- Dimensions: 177.2 cm H x 55.8 cm W x 54.5 cm D
- Niche Dimensions: 177.5 cm H x 56 cm W x 55 cm D
- Based on the results of the standard 24-hour test. Actual consumption depends on usage/position of the appliance.

Performance and Consumption

- EU19_EEK_D: E
- Total Volume : 319 l
- Net Fridge Volume : 319 l
- Net Freezer Volume : 0 l
- Annual Energy Consumption: 115 kWh/a
- Climate Class: SN-ST
- Noise Level : 37 dB

N 70, Built-in fridge, 177.5 x 56 cm
K11813FE0G

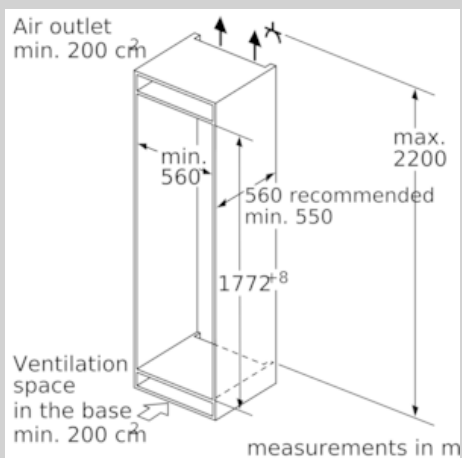
Dimensioned drawings



Maximal permissible weight of the unit fronts

Fitted kitchen unit doors that exceed the permissible weight may cause damage and result in functional impairment of the hinges.

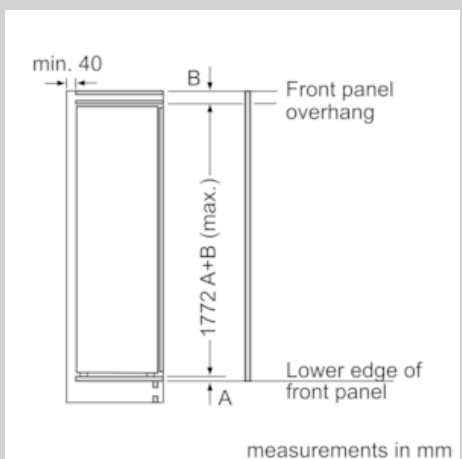
T: Includes height of appliance door	undamped hinge,	damped hinge,
Hinges in mm:	Door in kg:	Door in kg:
1500-1750	22	22



measurements in mm
Recommended gap dimensions for flat hinges

F	R	X
16-19	0-3	2.5
20	0-1	3
	2-3	2.5
21	0-1	3
	2-3	2.5
22	0	4
	1	3.5
	2-3	3

The gap dimensions recommended in the table must be adhered to in order to ensure that appliance doors do not collide with anything when they are opened, and to avoid causing damage to kitchen units.



Maximal permissible weight of the unit fronts

Fitted unit fronts that exceed the permissible weight may cause damage and result in functional impairment of the hinges

Δ Weight
A: Appliance door height including hinges in mm
B: Undamped hinge, unit front in kg
C: Damped hinge, unit front in kg

A	B	C
1500-1750	22	22
720-1400	19	19
A1	15	19
A2	15	19