

iQ100 Built-in fridge freezer KI38VX22GB



A+

built-in fridge freezer for crisper fruit and vegetables thanks to the Fresh Box with wavy bottom.

- ✓ The fruit and vegetables stay crispy in the Fresh Box with wavy bottom.
- ✓ 3 transparent freezer drawers provide plenty of space and an optimum view.
- ✓ The safetyGlass shelves are of extra strong, easy-cleaning safety glass.

Features

Technical Data

Construction type : Built-in
 Door panel options : Not possible
 Height (mm) : 1772
 Width of the product (mm) : 541
 Depth of the product : 545
 Required niche size for installation (HxWxD) : 1775.0 x 562.0 x 550
 Net weight (kg) : 57.0
 Connection rating (W) : 90
 Current (A) : 13
 Door hinge : Right reversible
 Voltage (V) : 220-240
 Frequency (Hz) : 50
 Approval certificates : VDE
 Length of electrical supply cord (cm) : 230
 Storage Period in Event of Power Failure (h) : 13
 Number of compressors : 1
 Number of independent cooling systems : 1
 Interior ventilator : No
 Reversible Door Hinge : Yes
 Number of Adjustable Shelves in fridge compartment (Stck) : 4
 Shelves for Bottles : No
 EAN code : 4242003642580
 Brand : Siemens
 Product name / Commercial code : KI38VX22GB
 Energy efficiency class (2010/30/EC) : A+
 Energy consumption annual (kWh/annum) - NEW (2010/30/EC) : 275
 Refrigerator Net capacity (l) - NEW (2010/30/EC) : 217
 Freezer Net capacity (l) - NEW (2010/30/EC) : 59
 Frost free system : No
 Temperature rise time (h) : 13
 Freezing capacity (kg/24h) - NEW (2010/30/EC) : 6
 Climate class : SN-ST
 Noise level (dB(A) re 1 pW) : 40
 Installation type : Full-integrated



iQ100

Built-in fridge freezer

KI38VX22GB

Features

Performance and Consumption

- Energy Efficiency Class: A+ at a range of energy efficiency classes from A+++ to D
- Energy Efficiency Class: A+ kWh/yr: 275
- Total net capacity: 276 litres
- Net fridge capacity: 217 litres
- Net freezer capacity: 59 litres
- Noise level dB(A) re 1 pW: 40

Design features

- Sliding hinge
- Right hinged door, reversible
- Electronic control (LED chain)

Food freshness system

- 1 compressor/1 cooling circuit

Key features - Fridge section

- 5 safety glass shelves in fridge compartment of which 4 are height adjustable
- 1 vegetable/salad container

Key features - Freezer section

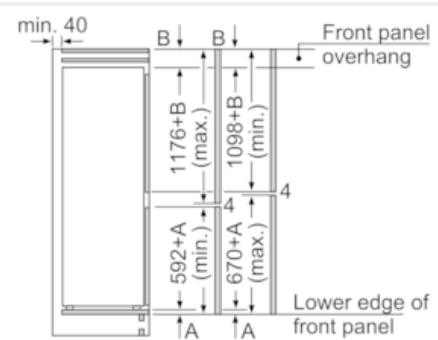
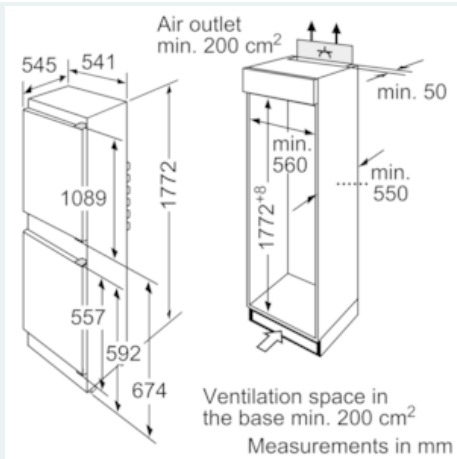
- Manual defrost freezer
- 3 freezer drawers
- 1 compressor/1 cooling circuit
- Freezing capacity in 24 hours: 6 kg
- Maximum freezer storage time in power failure: 13 hours

Dimension and installation

- Climate class SN-ST (suitable for ambient temperatures between 10 to 38°C)
- Connection value 90 W
- 220 - 240 V
- Dimensions: 177.2 cm H x 54.1 cm W x 54.5 cm D
- Niche Dimensions: 177.5 cm H x 56.2 cm W x 55 cm D

iQ100
Built-in fridge freezer
KI38VX22GB

Dimensioned drawings



The specified unit door dimensions are valid for a door gap of 4 mm.
 measurements in mm

