

N 50, Built-in fridge-freezer with freezer at bottom, 177.2 x 54.1 cm  
KI5872SE0G



This built-in fridge-freezer with Fresh Safe 1 keeps fruits and vegs fresh, ensures ideal air circulation in the fridge.

- ✓ Fresh Safe - Keeps fruits, vegetables crisp and fresh
- ✓ Eco Air Flow - Even air circulation for constant temperatures
- ✓ LowFrost: Reduces frost in the freezer compartment for faster defrosting.
- ✓ BigBox: An abundance of storage space even for large and bulky items.
- ✓ LED Lighting: Bright light in the entire fridge with long-life LEDs.

#### Features

##### Technical Data

Energy Efficiency Class (Regulation (EU) 2017/1369) : E  
 Average annual energy consumption in kilowatt hour per year (kWh/a) (EU) 2017/1369 : 216  
 Sum of volume of frozen compartments (EU 2017/1369) : 70  
 Sum of volume of chill compartments (EU 2017/1369) : 200  
 Airborne acoustical noise emissions (EU 2017/1369) : 35  
 Airborne acoustical noise emission class (EU 2017/1369) : B  
 Construction type : Built-in  
 Door panel options : Not possible  
 Width of the appliance : 541  
 Depth of the product : 548  
 Required niche size for installation (HxWxD) : 1775.0 x 560 x 550  
 Net weight (kg) : 50.969  
 Current (A) : 10  
 Door hinge : Right reversible  
 Voltage (V) : 220-240  
 Frequency (Hz) : 50  
 Approval certificates : CE, VDE  
 Length of electrical supply cord (cm) : 230  
 Storage Period in Event of Power Failure (h) : 12  
 Number of compressors : 1  
 Number of independent cooling systems : 1  
 Interior ventilator : No  
 Reversible Door Hinge : Yes  
 Number of Adjustable Shelves in fridge compartment (Stck) : 4  
 Shelves for Bottles : No  
 Frost free system : No  
 Installation type : Full-integrated  
 Type of hinge : Follow-door



*N 50, Built-in fridge-freezer with freezer at bottom,  
177.2 x 54.1 cm  
KI5872SE0G*

## Features

- easy Installation

### Functions

- Bright interior LED fridge light

### Design features

- Electronic control (LED chain)
- Super Cooling: No
- SuperFreeze function with automatic deactivation
- acoustic alarm

### Design features

- 5 safety glass shelves in fridge compartment of which 4 are height adjustable
- 4 door trays, including 1x dairy compartment
- 1 removable door storage compartments.
- 4 door bins

### Freshness System

- 1 FreshSafe drawer with humidity control retains freshness for longer.

### Food freshness system

- lowFrost freezer
- 2 transparent freezer drawers, 1 bigbox

### Dimension and installation

- Dimensions: 177.2 cm H x 54.1 cm W x 54.8 cm D
- Niche Dimensions: 177.5 cm H x 56 cm W x 55 cm D

### Key features - Fridge section

- Right hinged door, reversible
- 220 - 240 V

### Key features - Freezer section

- 2 x egg tray, 1 x ice cube tray

### Country Specific Options

- Based on the results of the standard 24-hour test. Actual consumption depends on usage/position of the appliance.

### Design features

### Dimension and installation

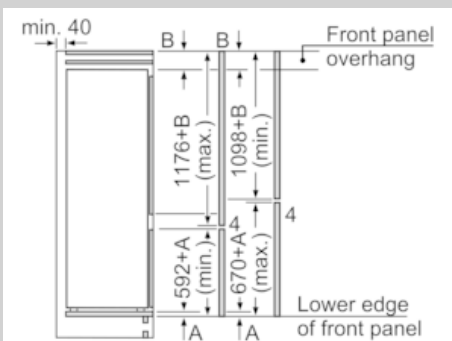
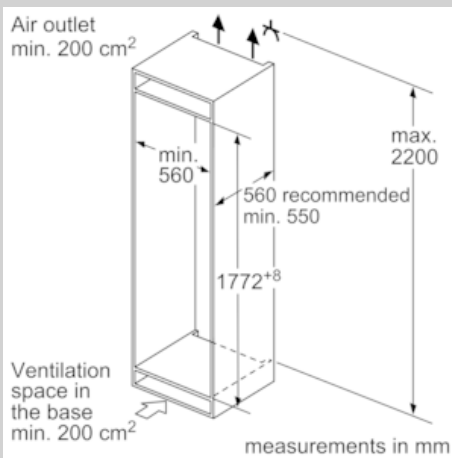
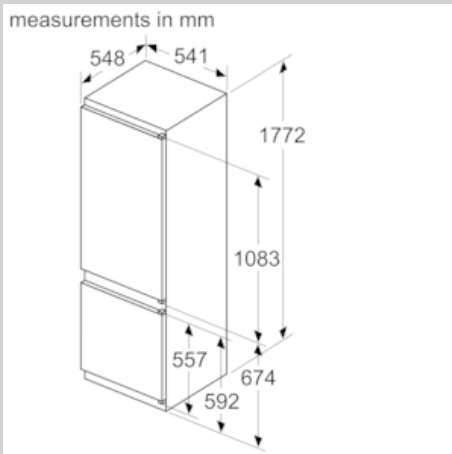
### Additional features

### Performance and Consumption

- EU19\_EEK\_D: E
- Total Volume : 270 l
- Net Fridge Volume : 200 l
- Net Freezer Volume : 70 l
- Net 4\* compartment volume : 70 l
- Freezing capacity 24h : 3.2 kg
- Annual Energy Consumption: 216 kWh/a
- Climate Class: SN-ST
- Noise Level : 35 dB
- Temperature rise time : EU19\_Temperature rise time\_D: 12 H

N 50, Built-in fridge-freezer with freezer at bottom,  
 177.2 x 54.1 cm  
 KI5872SE0G

## Dimensioned drawings



The specified unit door dimensions  
 are valid for a door gap of 4 mm.

measurements in mm