

iQ300
Built-in fridge freezer
KI86VVF30G
NO



A++



built-in-fridge-freezer with energy efficiency class A++ and 3 practical freezer Fresh Boxes

- ✓ The easyAccess glass shelves make loading easier and give you a better view of your food items.
- ✓ An A++ cooling appliance works very efficiently.
- ✓ Electronic temperature control: set the target temperature clearly and easily.
- ✓ The bigBox offers plenty of space to store and stack large frozen items efficiently.
- ✓ All freezer drawers and glass shelves can be removed easily. varioZone lets you organize the space flexibly.

Features

Technical Data

Construction type : Built-in
 Door panel options : Not possible
 Height (mm) : 1772
 Width of the product (mm) : 541
 Depth of the product : 545
 Required niche size for installation (HxWxD) : 1775.0 x 560 x 550
 Net weight (kg) : 64.0
 Connection rating (W) : 90
 Current (A) : 13
 Door hinge : Right reversible
 Voltage (V) : 220-240
 Frequency (Hz) : 50
 Approval certificates : VDE
 Length of electrical supply cord (cm) : 230
 Storage Period in Event of Power Failure (h) : 24
 Number of compressors : 1
 Number of independent cooling systems : 1
 Interior ventilator : No
 Reversible Door Hinge : Yes
 Number of Adjustable Shelves in fridge compartment (Stck) : 3
 Shelves for Bottles : No
 EAN code : 4242003720813
 Brand : Siemens
 Product name / Commercial code : KI86VVF30G
 Energy efficiency class (2010/30/EC) : A++
 Energy consumption annual (kWh/annum) - NEW (2010/30/EC) : 231
 Refrigerator Net capacity (l) - NEW (2010/30/EC) : 191
 Freezer Net capacity (l) - NEW (2010/30/EC) : 76
 Frost free system : No
 Temperature rise time (h) : 24
 Freezing capacity (kg/24h) - NEW (2010/30/EC) : 4
 Climate class : SN-T
 Noise level (dB(A) re 1 pW) : 38
 Installation type : Full-integrated

Included accessories

- 2 x cold accumulator
- 2 x egg tray
- 1 x ice cube tray



iQ300
Built-in fridge freezer
KI86VVF30G
NO

Features

Performance and Consumption

- Energy efficiency class: A++
- Energy Efficiency Class: A++ kWh/yr: 0.631 kwh
- Total net capacity: 267 litres
- Net fridge capacity: 191 litres
- Net freezer capacity: 76 litres
- Noise level dB(A) re 1 pW: 38

Design features

- Manual defrost freezer
- Fixed / Flat hinge
- Right hinged door, reversible
- Electronic control (LED chain)
- Removable magnetic door seals - easy to clean

Food freshness system

- 1 vegetable/salad container
- VitaControl - constant temperature by intelligent sensor technology - Constant temperature control by intelligent sensor technology
- Electronic control (LED chain)
- 1 compressor/1 cooling circuit

Key features - Fridge section

- Automatic defrost in fridge section
- Bright interior LED fridge light
- 4 safety glass shelves in fridge compartment of which 3 are height adjustable

Key features - Freezer section

- NO
- Manual defrost freezer
- 4 star rating
- 3 freezer drawers
- Freezing capacity in 24 hours: 3.5 kg
- Maximum freezer storage time in power failure: 24 hours
- 2 x cold accumulator, 2 x egg tray, 1 x ice cube tray

Functions

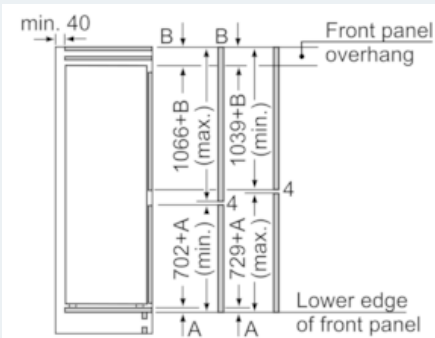
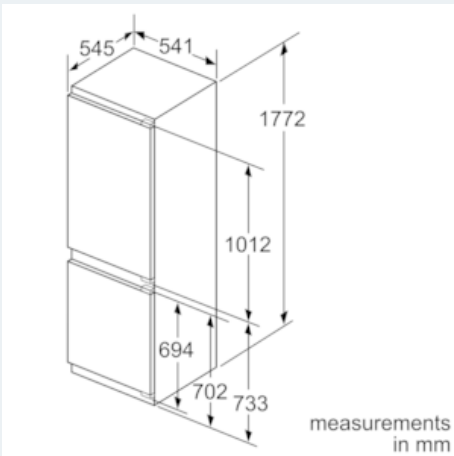
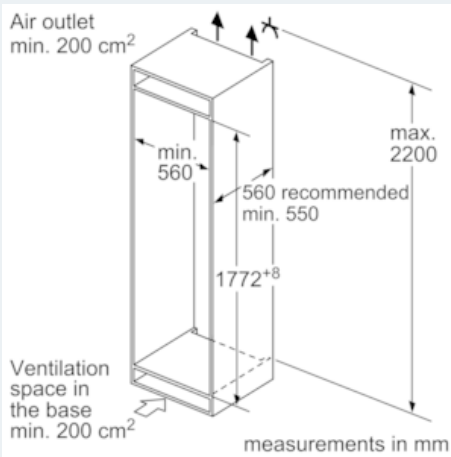
- superFreeze function with automatic deactivation

Dimension and installation

- easy Installation
- Connection value 90 W
- Dimensions: 177.2 cm H x 54.1 cm W x 54.5 cm D
- Niche Dimensions: 177.5 cm H x 56 cm W x 55 cm D
- Climate class SN-T (suitable for ambient temperatures between 10 to 43°C)

iQ300
Built-in fridge freezer
KI86VVF30G
NO

Dimensioned drawings



The specified unit door dimensions are valid for a door gap of 4 mm.
 measurements in mm