

N 90, Built-in fridge, 177.5 x 56 cm  
K18816DE0



COOKING PASSION SINCE 1877



The built-in fridge with FreshSafe 3 and BottleFlex Shelf keeps food fresher for longer and offers a lot of extra storage options.

- ✓ FreshSafe 3: Optimal freshness due to two climate zones with different air moisture at nearly 0°C.
- ✓ EasyAccess Shelf: Provides better organization, with a clearer view and better access to foods.
- ✓ VarioShelf: The glass shelf can be divided and one half pushed beneath the other, for flexible interior configurations.
- ✓ Adjustable Glass Shelves – Height adjustable shelves create the space you need for inspiring dishes in your fridge
- ✓ Our safety glass shelves happily shoulder generous loads of delicacies in your fridge

#### Features

##### Technical Data

Energy Efficiency Class : E  
 Average annual energy consumption in kilowatt hour per year (kWh/a) : 150  
 Sum of volume of frozen compartments : 0  
 Sum of volume of chill compartments : 289  
 Airborne acoustical noise emissions : 37  
 Airborne acoustical noise emission class : C  
 Construction type : Built-in  
 Door panel options : Not possible  
 Height (mm) : 1772  
 Width of the appliance : 558  
 Depth of the product : 545  
 Required niche size for installation (HxWxD) : 1775.0 x 560 x 550  
 Net weight (kg) : 69.456  
 Connection rating (W) : 90  
 Fuse protection (A) : 10  
 Door hinge : Right reversible  
 Voltage (V) : 220-240  
 Frequency (Hz) : 50  
 Approval certificates : CE  
 Length of electrical supply cord (cm) : 230  
 Number of compressors : 1  
 Number of independent cooling systems : 1  
 Interior ventilator : No  
 Reversible Door Hinge : Yes  
 Number of Adjustable Shelves in fridge compartment (Stck) : 5  
 Shelves for Bottles : No  
 EAN code : 4242004247661  
 Brand : Neff  
 Product name / Commercial code : K18816DE0  
 Product category : Refrigerator  
 Frost free system : No  
 Installation type : Full-integrated

#### Optional accessories

KS1840Z0 Wooden tray with glass bowls



4 242004 247661

## Features

### Functions

- LED with Soft Start
- Interior design with metal applications

### Design features

- LED Electronic control
- Automatic defrost fridge
- Super Cooling: automatic deactivation
- Acoustic door open warning indicator

### Design features

- 7 safety glass shelves of which Non-adjustable bottom shelf, Easy Access shelf
- BottleFlex Shelf
- 5 door trays, including 1x dairy compartment

### Freshness System

- Capacity in 0° C section: 83 l
- 1 FreshSafe 3 0°C drawer with humidity control for optimal freshness; food stays fresh for longer due to two climate zones.
- 2 FreshSafe 3 0°C drawers for optimal freshness; food stays fresh for longer due to two climate zones.

### Dimension and installation

- Dimensions: 177.2 cm H x 55.8 cm W x 54.5 cm D
- Niche Dimensions: 177.5 cm H x 56 cm W x 55 cm D

### Key features - Fridge section

- Right hinged door, reversible
- Connection value 90 W
- 220 - 240 V

### Key features - Freezer section

- 2 x egg tray, 1 x bottle holder in door tray

### Included accessories

- KSGG0MZ0, KS1840Z0, KS1860Z0

### Country Specific Options

- Based on the results of the standard 24-hour test. Actual consumption depends on usage/position of the appliance.

### Design features

### Dimension and installation

### Additional features

### Performance and Consumption

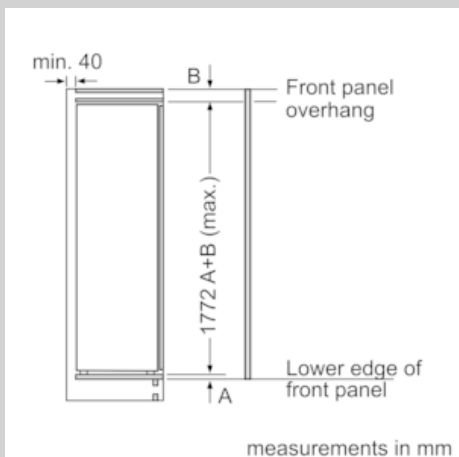
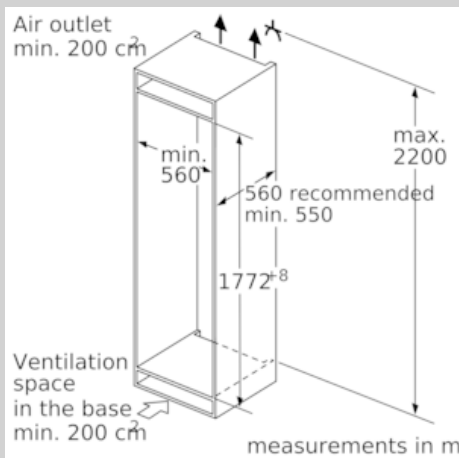
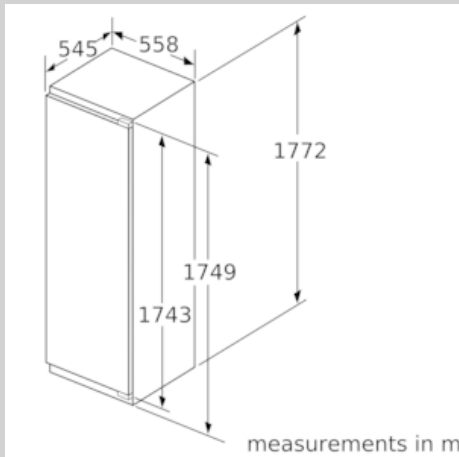
- EU19\_EEK\_D: E
- Total Volume : 289 l
- Net Fridge Volume : 289 l
- Net Freezer Volume : 0 l
- Annual Energy Consumption: 150 kWh/a
- Climate Class: SN-ST
- Noise Level : 37 dB

N 90, Built-in fridge, 177.5 x 56 cm  
KI8816DE0



COOKING PASSION SINCE 1877

Dimensioned drawings



Maximal permissible weight of the unit fronts

Fitted kitchen unit doors that exceed the permissible weight may cause damage and result in functional impairment of the hinges.

T: Includes height of appliance door	undamped hinge,	damped hinge,
Hinges in mm:	Door in kg:	Door in kg:
1500-1750	22	22

measurements in mm  
Recommended gap dimensions for flat hinges

F	R	X
16-19	0-3	2.5
20	0-1	3
	2-3	2.5
21	0-1	3
	2-3	2.5
22	0	4
	1	3.5
	2-3	3

The gap dimensions recommended in the table must be adhered to in order to ensure that appliance doors do not collide with anything when they are opened, and to avoid causing damage to kitchen units.

Maximal permissible weight of the unit fronts

Fitted unit fronts that exceed the permissible weight may cause damage and result in functional impairment of the hinges

Δ Weight  
A: Appliance door height including hinges in mm  
B: Undamped hinge, unit front in kg  
C: Damped hinge, unit front in kg

A	B	C
1500-1750	22	22
720-1400	19	19
A1	15	19
A2	15	19