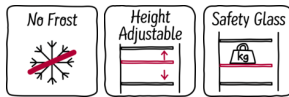


N 90, Built-in fridge-freezer with freezer at bottom, 177.2 x 55.8 cm
KI8865DE0



The built-in fridge-freezer with FreshSafe 3 and NoFrost keeps food fresher for longer and builds no ice in the freezer.

- ✓ FreshSafe 3: Optimal freshness due to two climate zones with different air moisture at nearly 0°C.
- ✓ NoFrost: No more manual thawing. The air circulates to stay dry so there's no ice buildup.
- ✓ Adjustable Glass Shelves – Height adjustable shelves create the space you need for inspiring dishes in your fridge
- ✓ Our safety glass shelves happily shoulder generous loads of delicacies in your fridge
- ✓ Individualize your drawers with various loading options to create the optimal fit for frozen goodies

Features

Technical Data

Energy Efficiency Class (Regulation (EU) 2017/1369) : E
 Average annual energy consumption in kilowatt hour per year (kWh/a) (EU) 2017/1369 : 252
 Sum of volume of frozen compartments (EU 2017/1369) : 67
 Sum of volume of chill compartments (EU 2017/1369) : 156
 Airborne acoustical noise emissions (EU 2017/1369) : 36
 Airborne acoustical noise emission class (EU 2017/1369) : C
 Construction type : Built-in
 Door panel options : Not possible
 Width of the appliance : 558
 Depth of the product : 545
 Required niche size for installation (HxWxD) : 1775.0 x 560 x 550
 Net weight (kg) : 70.587
 Connection rating (W) : 90
 Current (A) : 10
 Door hinge : Right reversible
 Voltage (V) : 220-240
 Frequency (Hz) : 50
 Approval certificates : CE
 Length of electrical supply cord (cm) : 230
 Storage Period in Event of Power Failure (h) : 8
 Number of compressors : 1
 Number of independent cooling systems : 2
 Interior ventilator : No
 Reversible Door Hinge : Yes
 Number of Adjustable Shelves in fridge compartment (Stck) : 2
 Shelves for Bottles : No
 Frost free system : Freezer
 Installation type : Full-integrated
 Type of hinge : Flush-folding

Optional accessories

KS1840Z0 Wooden tray with glass bowls



N 90, Built-in fridge-freezer with freezer at bottom,
 177.2 x 55.8 cm
 KI8865DE0

Features

Functions

- LED with Soft Start

Design features

- noFrost freezer, never have to defrost ever again
- Home Connect: Remote Monitoring and Control
- Electronic controls for fridge and freezer
- FreshSense - constant temperature by intelligent sensor technology - Constant temperature control by intelligent sensor technology
- Automatic defrost fridge
- Two separate cooling circuits allow independent temperature control and prevents the transference of humidity between the fridge and freezer cavity
- Super Cooling: automatic deactivation
- SuperFreeze function with automatic deactivation
- Holiday mode
- Acoustic door open warning indicator
- Freezer malfunction warning signal: optical and acoustical

Design features

- 1 safety glass shelves, of which 2 are height adjustable
- BottleFlex Shelf
- 2 door trays, including 1x dairy compartment

Freshness System

- Capacity in 0° C section: 55 l
- 1 FreshSafe 3 0°C drawer with humidity control for optimal freshness; food stays fresh for longer due to two climate zones.
- 1 VitaFresh container "dry" (about 50% humidity)

Food freshness system

- Removeable safety glass shelves in freezer
- 3 transparent freezer drawers, 1 bigbox

Dimension and installation

- Dimensions: 177.2 cm H x 55.8 cm W x 54.5 cm D
- Niche Dimensions: 177.5 cm H x 56 cm W x 55 cm D

Key features - Fridge section

- Right hinged door, reversible
- Connection value 90 W
- 220 - 240 V

Key features - Freezer section

- KI8865DE0

Included accessories

Country Specific Options

- Based on the results of the standard 24-hour test. Actual consumption depends on usage/position of the appliance.

Design features

Dimension and installation

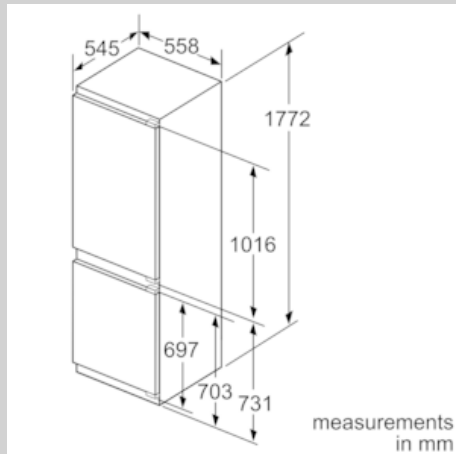
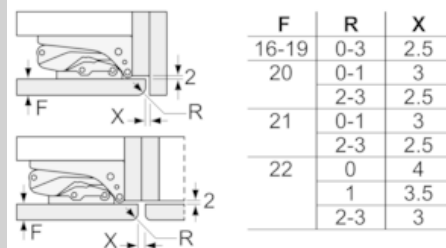
Additional features

Performance and Consumption

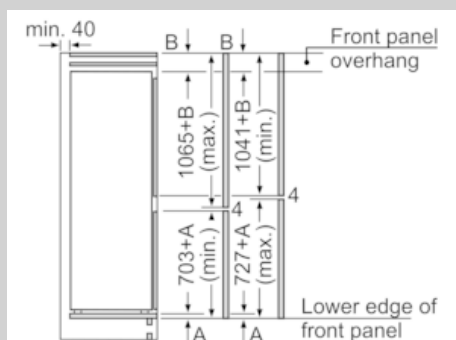
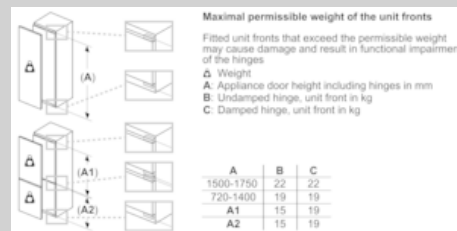
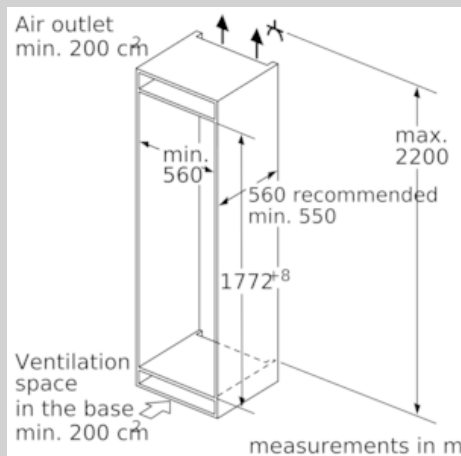
- EU19_EEK_D: E
- Total Volume : 223 l
- Net Fridge Volume : 156 l
- Net Freezer Volume : 67 l
- Freezing capacity 24h : 7 kg
- Annual Energy Consumption: 252 kWh/a
- Climate Class: SN-ST
- EU19_Fast freezer facility_D
- Noise Level : 36 dB
- Temperature rise time : EU19_Temperature rise time_D: 8 H

N 90, Built-in fridge-freezer with freezer at bottom,
 177.2 x 55.8 cm
 KI8865DE0

Dimensioned drawings


 measurements in mm
 Recommended gap dimensions for flat hinges


The gap dimensions recommended in the table must be adhered to in order to ensure that appliance doors do not collide with anything when they are opened, and to avoid causing damage to kitchen units.



The specified unit door dimensions are valid for a door gap of 4 mm.

measurements in mm