

**Serie | 8, Built-in fridge, 177.5 x 56 cm  
KIF81PFE0**



**The Built-in refrigerator with VitaFresh pro: thanks to 0°C technology and optimal humidity levels, your food stays vitamin-rich and fresher for longer**

- LED lights bring a completely new lighting concept to fridges
- **EasyAccess Shelf:** retractable glass shelf for convenient loading and unloading and a perfect view.
- **VarioShelf:** space for bottles and bowls with sectioned glass shelves that can be separated and slid underneath.
- **SuperCooling:** cools new food placed inside faster, thus protecting already cooled food.
- An audible alarm system signals the door is open

**Technical Data**

Energy Efficiency Class:	E
Average annual energy consumption in kilowatt hour per year (kWh/a):	150
Sum of volume of frozen compartments:	0
Sum of volume of chill compartments:	289
Airborne acoustical noise emissions :	37
Airborne acoustical noise emission class:	C
Construction type:	Built-in
Door panel options:	Not possible
Height (mm):	1772
Width of the appliance:	558
Depth of the product:	545
Required niche size for installation (HxWxD):	1775.0 x 560 x 550
Net weight (kg):	69.442
Connection rating (W):	90
Fuse protection (A):	10
Door hinge:	Right reversible
Voltage (V):	220-240
Frequency (Hz):	50
Approval certificates:	CE
Length of electrical supply cord (cm):	230
Number of compressors:	1
Number of independent cooling systems:	1
Interior ventilator:	No
Reversible Door Hinge:	Yes
Number of Adjustable Shelves in fridge compartment (Stck):	6
Shelves for Bottles:	No
EAN code:	4242005207909
Brand:	Bosch
Product name / Commercial code:	KIF81PFE0
Product category:	Refrigerator
Frost free system:	No
Installation type:	Full-integrated

**Included accessories**

- 3 x egg tray
- 1 x bottle holder in door tray



4 242005 207909

## Serie | 8, Built-in fridge, 177.5 x 56 cm KIF81PFE0

**The Built-in refrigerator with VitaFresh pro: thanks to 0°C technology and optimal humidity levels, your food stays vitamin-rich and fresher for longer**

### Performance and Consumption

- EU19\_EEK\_D: E
- Total Volume : 289 l
- Net Fridge Volume : 289 l
- Annual Energy Consumption: 150 kWh/a
- Climate Class: SN-ST
- Noise Level : 37 dB

### Functions

- Bright interior LED fridge light

### Design features

- Electronic LED display
- FreshSense - Constant temperature control by intelligent sensor technology
- Super Cooling: automatic deactivation
- Optical and acoustical door open warning

### Design features

- 7 safety glass shelves (6 height adjustable)
- 5 door trays, including 1x dairy compartment

### Freshness System

- 1 VitaFresh pro 0°C drawer with humidity control - fruits and vegetables stay vitamin-rich and fresher for longer.
- 2 VitaFresh pro 0°C drawers - Fish and meat stay vitamin-rich and fresher for longer.

### Dimension and installation

- Dimensions: 177.2 cm H x 55.8 cm W x 54.5 cm D
- Niche Dimensions: 177.5 cm H x 56 cm W x 55 cm D

### Key features - Fridge section

- Right hinged door, door reversible
- Connection value 90 W
- 220 - 240 V

### Key features - Freezer section

- 3 x egg tray, .

### Country Specific Options

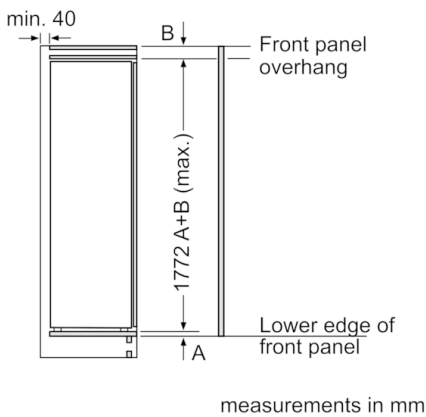
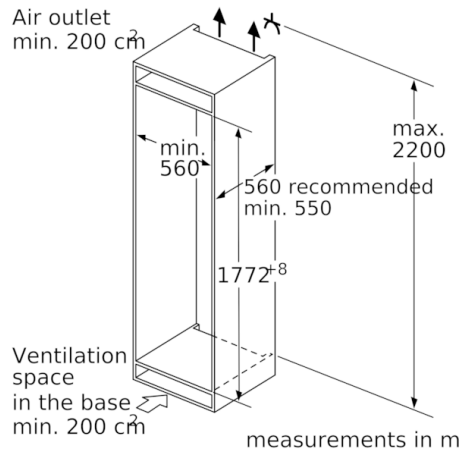
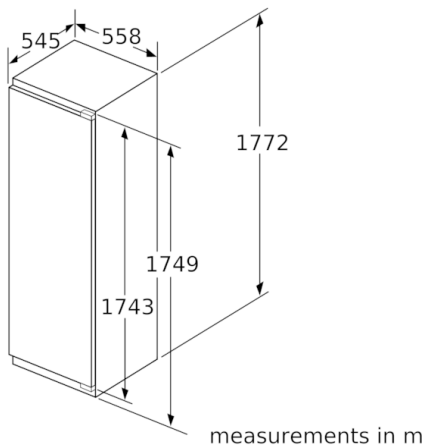
- Based on the results of the standard 24-hour test. Actual consumption depends on usage/position of the appliance.

### Design features

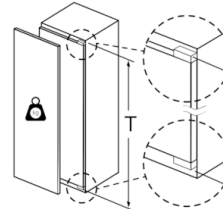
### Dimension and installation

### Additional features

**Serie | 8, Built-in fridge, 177.5 x 56 cm  
KIF81PFE0**



**Maximal permissible weight of the unit fronts**



Fitted kitchen unit doors that exceed the permissible weight may cause damage and result in functional impairment of the hinges.

T: Includes height of appliance door Hinges in mm:	undamped hinge, Door in kg:	damped hinge, Door in kg:
1500-1750	22	22

measurements in mm  
Recommended gap dimensions for flat hinges

F	R	X
16-19	0-3	2.5
20	0-1	3
	2-3	2.5
21	0-1	3
	2-3	2.5
22	0	4
	1	3.5
	2-3	3

The gap dimensions recommended in the table must be adhered to in order to ensure that appliance doors do not collide with anything when they are opened, and to avoid causing damage to kitchen units.

**Maximal permissible weight of the unit fronts**

Fitted unit fronts that exceed the permissible weight may cause damage and result in functional impairment of the hinges

Δ Weight  
A: Appliance door height including hinges in mm  
B: Undamped hinge, unit front in kg  
C: Damped hinge, unit front in kg

A	B	C
1500-1750	22	22
720-1400	19	19
A1	15	19
A2	15	19