

**Serie | 4, Built-in fridge-freezer with freezer at bottom, 177.2 x 54.1 cm KIV87VSE0G**



**The spacious built-in fridge-freezer combination with VitaFresh XXL keeps food fresh for longer.**

- Your vitamin rich fruit and vegetables stay fresh for longer in a climate controlled compartment with extra space.
- Supports optimal air circulation and guarantees a constant temperature level in the cooling area.
- **LowFrost:** defrost less often thanks to lower ice formation - saves work and is energy-efficient.
- Lots of space for large frozen goods cleverly combined with an extra inner box for smaller items.
- LED lights bring a completely new lighting concept to fridges

**Technical Data**

Energy Efficiency Class:	E
Average annual energy consumption in kilowatt hour per year (kWh/a):	216
Sum of volume of frozen compartments:	70
Sum of volume of chill compartments:	200
Airborne acoustical noise emissions :	35
Airborne acoustical noise emission class:	B
Construction type:	Built-in
Door panel options:	Not possible
Width of the appliance:	541
Depth of the product:	548
Required niche size for installation (HxWxD):	1775.0 x 560 x 550
Net weight (kg):	51.417
Fuse protection (A):	10
Door hinge:	Right reversible
Voltage (V):	220-240
Frequency (Hz):	50
Approval certificates:	CE, VDE
Length of electrical supply cord (cm):	230
Storage Period in Event of Power Failure (h):	12
Number of compressors:	1
Number of independent cooling systems:	1
Interior ventilator:	No
Reversible Door Hinge:	Yes
Number of Adjustable Shelves in fridge compartment (Stck):	4
Shelves for Bottles:	No
Frost free system:	No
Installation type:	Full-integrated
Type of hinge:	Follow-door



**Included accessories**

- 3 x egg tray
- 1 x ice cube tray



## Serie | 4, Built-in fridge-freezer with freezer at bottom, 177.2 x 54.1 cm KIV87VSE0G

**The spacious built-in fridge-freezer combination with VitaFresh XXL keeps food fresh for longer.**

- KIV87VSE0G
- easy Installation

### Functions

- Bright interior LED fridge light

### Design features

- LED electronic control
- Super Cooling: No
- SuperFreezing function with automatic deactivation
- Acoustic alarm

### Design features

- 5 safety glass shelves in fridge compartment of which 4 are height adjustable
- 4 door trays, including 1x dairy compartment
- 1 removable door storage compartments.
- 4 door bins

### Freshness System

- 1 VitaFresh drawer with humidity control - Fruits and vegetables retain vitamins and stay fresh for longer

### Food freshness system

- LowFrost - less ice creation and therefore quicker defrosting
- 2 transparent freezer drawers, including 1 BigBox

### Dimension and installation

- Dimensions: 177.2 cm H x 54.1 cm W x 54.8 cm D
- Niche Dimensions: 177.5 cm H x 56 cm W x 55 cm D

### Key features - Fridge section

- Right hinged door, door reversible
- 220 - 240 V

### Key features - Freezer section

- 3 x egg tray, 1 x ice cube tray

### Country Specific Options

- Based on the results of the standard 24-hour test. Actual consumption depends on usage/position of the appliance.

### Design features

### Dimension and installation

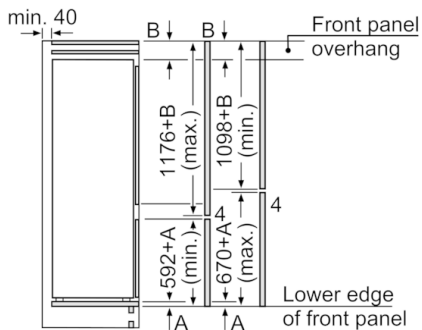
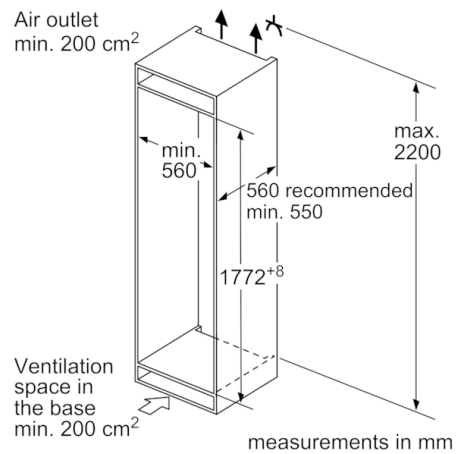
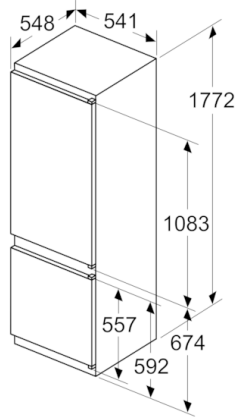
### Additional features

### Performance and Consumption

- EU19\_EEK\_D: E
- Total Volume : 270 l
- Net Fridge Volume : 200 l
- Net Freezer Volume : 70 l
- Net 4\* compartment volume : 70 l
- Freezing capacity 24h : 3.2 kg
- Annual Energy Consumption: 216 kWh/a
- Climate Class: SN-ST
- Noise Level : 35 dB
- Temperature rise time : EU19\_Temperature rise time\_D: 12 H

**Serie | 4, Built-in fridge-freezer with freezer  
at bottom, 177.2 x 54.1 cm  
KIV87VSE0G**

measurements in mm



The specified unit door dimensions  
are valid for a door gap of 4 mm.

measurements in mm