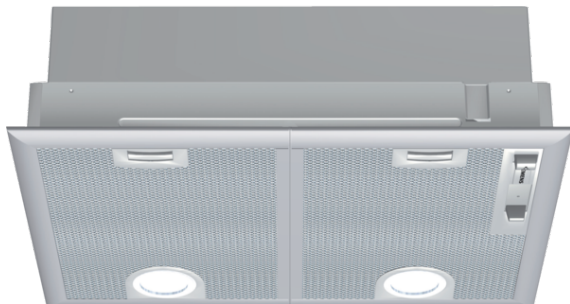


iQ300
LB55565GB
Canopy hood
Silver metallic lacquer
53 cm



The powerful canopy cooker hood is concealed in a unit above the hob.

- ✓ The 590 m³/h extraction rate supplies clean air when cooking.
- ✓ The energy-saving LED lighting ensures optimal visibility when cooking.
- ✓ Great for banishing unwanted steam, grease and cooking smells the intensive setting temporarily increases the extraction rate.
- ✓ At 44 dB the hood is extremely quiet when being used.

Features

Technical Data

Typology : Traditional
 Approval certificates : CE, VDE
 Length of electrical supply cord (cm) : 130
 Required niche size for installation (HxWxD) : 255mm x 500mm x 350mm
 Minimum distance above an electric hob : 650
 Minimum distance above a gas hob : 650
 Net weight (kg) : 7.539
 Type of control : mechanical
 Maximum output air extraction (m³/h) : 363
 Boost position output recirculating (m³/h) : 395
 Maximum output recirculating air (m³/h) : 268
 Boost position air extraction (m³/h) : 618
 Number of lights (Stck) : 2
 Noise level (dB(A) re 1 pW) : 56
 Diameter of air outlet (mm) : 150 / 120
 Grease filter material : Washable aluminium
 EAN code : 4242003838396
 Connection rating (W) : 206
 Current (A) : 10
 Voltage (V) : 220-240
 Frequency (Hz) : 50
 Plug type : GB plug
 Installation type : Built-in

Optional accessories

LZ73050 Charcoal odour filter



iQ300
LB55565GB
Canopy hood
Silver metallic lacquer
53 cm

Features

Key performance features:

- Energy Efficiency Class: C (at a range of energy efficiency classes from A++ to E)*
- Max. extraction rate: 590 m³/h
- Noise max. Normal Level: 56 dB*

Features

- Slider switch control for extractor speeds and light
- 3 x power levels plus intensive setting
- Twin motors
- 2 x LED spot 2.15W (low volt)
- Colour Temperature: 3500 K
- 2 x metal grease filter cassettes

Design

- For installation under an overhead canopy kitchen unit
- Canopy hood
- Mechanical

Performance/technical information

- Suitable for ducted and re-circulating operation
- For recirculated extraction a recirculating kit or a CleanAir recirculation kit (accessory) is needed
- Max. extraction rate: 590 m³/h
- Extraction rate according to EN 61591 ø 15 cm:
- max. Normal use 360 m³/h
- Intensive 590 m³/h
- Noise max. Normal Level: 56 dB*
- Noise level according to EN 60704-3 and EN 60704-2-13 exhaust air:
- Max. normal use: 56 dB(A) re 1 pW (44 dB(A) re 20 µPa sound pressure)
- Intensive: 68 dB(A) re 1 pW (56 dB(A) re 20 µPa sound pressure)
- Power rating: 206 W
- Light Intensity: 438 lux
- Colour Temperature: 3500 K
- Electrical cable length 1.3 m
- Diameter pipe Ø 150 mm (Ø 120 mm enclosed)
- Dimensions exhaust air (HxWxD): 255-255 x 530 x 380 mm
- Dimensions recirculating, chimney (HxWxD): 255-255 x 530 x 380 mm
- built-in dimensions (HxWxD): 255 x 500 x 350 mm
- Energy Efficiency Class: C (at a range of energy efficiency classes from A++ to E)*
- Blower Efficiency Class: D*
- Lighting Efficiency Class: A*
- Grease Filtering Efficiency Class: C*
- Average Energy Consumption: 78.1 kWh/year*

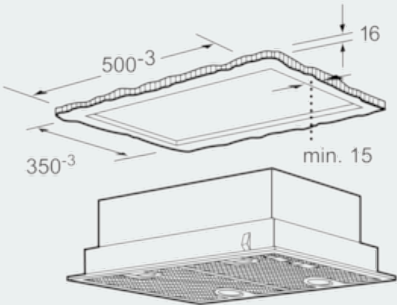
Optional accessories

- Recirculating kit

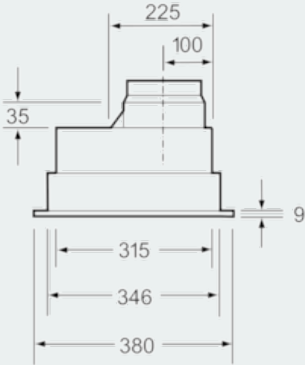
* In accordance with the EU-Regulation No 65/2014

iQ300
LB55565GB
Canopy hood
Silver metallic lacquer
53 cm

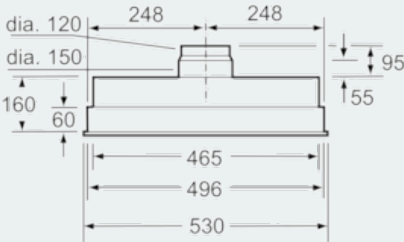
Dimensioned drawings



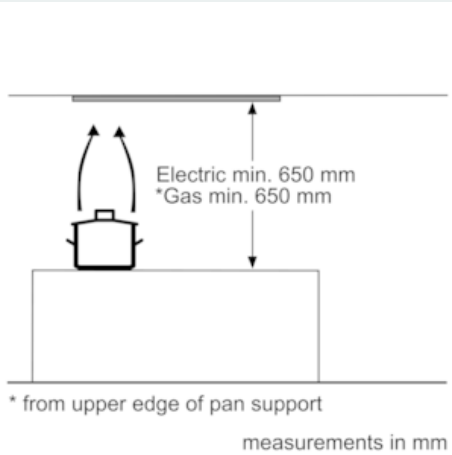
measurements in mm



measurements in mm



measurements in mm



measurements in mm