

## iQ500 Canopy hood LB57574GB Stainless Steel



The powerful canopy cooker hood is concealed above the cooktop.

- ✓ The 610 m<sup>3</sup>/h extraction rate supplies clean air when cooking.
- ✓ The energy-saving LED lighting ensures optimal visibility when cooking.
- ✓ When required the intensive setting temporarily increases the extraction rate, with automatic revert after 6 min.
- ✓ At 53 dB the hood is extremely quiet when being used.

### Features

#### Technical Data

Typology : Traditional  
 Approval certificates : CE, VDE  
 Length of electrical supply cord (cm) : 150  
 Required niche size for installation (HxWxD) : 418mm x 496mm x 264mm  
 Minimum distance above an electric hob : 500  
 Minimum distance above a gas hob : 650  
 Net weight (kg) : 8.0  
 Type of control : Electronic  
 Maximum output air extraction (m<sup>3</sup>/h) : 560  
 Boost position output recirculating (m<sup>3</sup>/h) : 300  
 Maximum output recirculating air (m<sup>3</sup>/h) : 290  
 Boost position air extraction (m<sup>3</sup>/h) : 610  
 Number of lights (Stck) : 2  
 Noise level (dB(A) re 1 pW) : 67  
 Diameter of air outlet (mm) : 120 / 150  
 Grease filter material : Washable aluminium  
 EAN code : 4242003686249  
 Connection rating (W) : 252  
 Current (A) : 3  
 Voltage (V) : 220-240  
 Frequency (Hz) : 50  
 Plug type : GB plug  
 Installation type : Built-in



### Optional accessories

LZ55750	Recirculating kit
LZ55651	Active carbon filter
LZ46830	CleanAir Recirculation Kit
LZ46810	CleanAir active carbon filter

## iQ500

### Canopy hood

### LB57574GB Stainless Steel

#### Features

##### Design

- 52 cm wide
- Stainless Steel
- Electronic control via Soft touch button control
- For installation in a kitchen cabinet

##### Key features

- Soft touch button control for extractor speeds and light
- 2 x 1W LED lights
- 1 x metal grease filter cassette
- Steel filter cover, Steel filter cover
- Rim ventilation

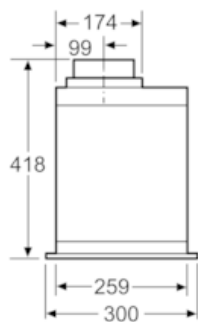
##### Performance/technical information

- Suitable for ducted and re-circulating operation
- For recirculated extraction recirculating kit or CleanAir recirculating kit (accessory) needed
- Extraction rate according to EN 61591 ø 15 cm:  
max. Normal use 560 m<sup>3</sup>/h  
Intensive 610 m<sup>3</sup>/h
- Noise level according to EN 60704-3 and EN 60704-2-13 exhaust air:  
Max. normal use: 67 dB(A) re 1 pW (53 dB(A) re 20 µPa sound pressure)  
Intensive: 70 dB(A) re 1 pW (56 dB(A) re 20 µPa sound pressure)
- 3 x power levels plus intensive setting
- Power rating: 252 W
- Automatic intensive revert
- Noise max. Normal Level: 67 dB\*
- Extractor hose 120 mm
- Dimensions (WxD): 520 x 300 mm
- built-in dimensions (HxWxD): 418 x 496 x 264 mm
- Dimensions exhaust air (HxWxD): 418-418 x 520 x 300 mm
- Diameter pipe Ø 150 mm (Ø 120 mm enclosed)
- Light Intensity: 244 lux
- Colour Temperature: 4000 K
- Average Energy Consumption: 80.1 kWh/year\*
- Energy Efficiency Class: C\*
- Blower Efficiency Class: C\*
- Lighting Efficiency Class: A\*
- Grease Filtering Efficiency Class: D\*

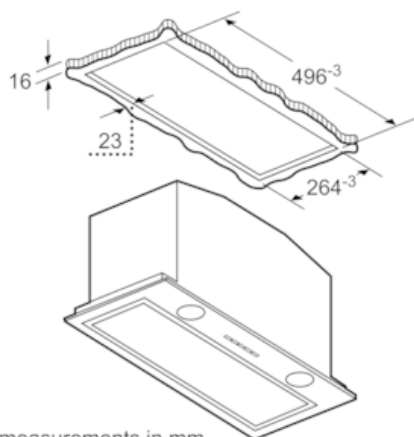
\* In accordance with the EU-Regulation No 65/2014

**iQ500**  
**Canopy hood**  
**LB57574GB Stainless Steel**

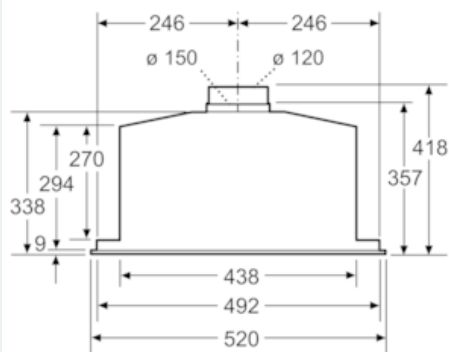
Dimensioned drawings



measurements in mm



measurements in mm



measurements in mm