

iQ100
LC64BBC50B
Box design
Chimney hood
Stainless Steel
60 cm



Box design extractor hood with high extraction rate.

- ✓ The motor with a high extraction rate of 340 m³/h for fresh air in your kitchen.
- ✓ The energy-saving LED lighting ensures optimal visibility when cooking.
- ✓ At 63 dB the hood is especially quiet when being used.

Features

Technical Data

Color chimney : Stainless steel
 Typology : Chimney
 Approval certificates : CE, G-Mark, VDE
 Length of electrical supply cord (cm) : 130
 Height of the chimney (mm) : 583-912/583-1022
 Height of product, without chimney (mm) : 53
 Minimum distance above an electric hob : 550
 Minimum distance above a gas hob : 650
 Net weight (kg) : 10.935
 Type of control : mechanical
 Number of speed settings : 3
 Maximum output air extraction (m³/h) : 340
 Maximum output recirculating air (m³/h) : 190
 Number of lights (Stck) : 2
 Noise level (dB(A) re 1 pW) : 63
 Diameter of air outlet (mm) : 150 / 120
 Grease filter material : Washable aluminium
 EAN code : 4242003811047
 Connection rating (W) : 100
 Current (A) : 10
 Voltage (V) : 220-240
 Frequency (Hz) : 50; 60
 Plug type : GB plug
 Installation type : Wall-mounted



Optional accessories

LZ57000	cleanAir Recirculation Kit
LZ56200	CleanAir active carbon filter spare part
LZ50661	Backboard 60 x 72 cm
LZ50660	Backboard 60 x 65 cm
LZ12350	Chimney extension 1500 mm
LZ12250	Chimney extension 1000 mm
LZ00XXP00	CleanAir act.carbon filter regenerative

iQ100
LC64BBC50B
Box design
Chimney hood
Stainless Steel
60 cm

Features

Key performance features:

- Energy Efficiency Class: D (at a range of energy efficiency classes from A++ to E)*
- Max. extraction rate: 340 m³/h
- Noise max. Normal Level: 63 dB*

Features

- Push button control for extractor speeds and light
- 3 x power levels
- Twin channel high performance fan motor
- 2 x 1.5W LED
- Colour Temperature: 3500 K
- 2 x metal grease filter cassettes
- For wall mounted installation

Design

- Box design
- Chimney hood
- Mechanical

Performance/technical information

- Suitable for ducted and re-circulating operation
- For recirculated extraction a recirculating kit or a CleanAir recirculation kit (accessory) is needed
- Max. extraction rate: 340 m³/h
- Maximum extraction rate exhaust air 340 m³/h according to EN 61591
- Extraction rate in recirculation mode:
 - Max. normal use: 190 m³/h
 - Noise max. Normal Level: 63 dB*
 - Noise level according to EN 60704-3 and EN 60704-2-13 at max. normal use exhaust air: 63 dB(A) re 1 pW (51 dB(A) re 20 µPa sound pressure)
 - Noise level in recirculation mode:
 - Max. normal use: 66 dB(A) re 1 pW (54 dB(A) re 20 µPa sound pressure)
- Power rating: 100 W
- Light Intensity: 99 lux
- Colour Temperature: 3500 K
- Electrical cable length 1.3 m
- Diameter pipe Ø 150 mm (Ø 120 mm enclosed)
- Dimensions exhaust air (HxWxD): 635-965 x 600 x 500 mm
- Dimensions recirculating, chimney (HxWxD): 635-1075 x 600 x 500 mm
- Dimensions recirculating with CleanAir module (HxWxD):
 - 703 x 600 x 500 mm - mounting with outer chimney
 - 833-1163 x 600 x 500 mm - mounting with telescopic chimney
- Energy Efficiency Class: D (at a range of energy efficiency classes from A++ to E)*
- Blower Efficiency Class: E*
- Lighting Efficiency Class: A*
- Grease Filtering Efficiency Class: C*
- Average Energy Consumption: 53.2 kWh/year*

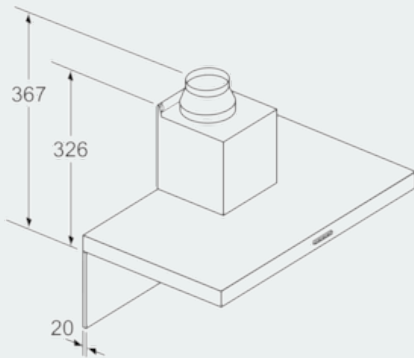
Optional accessories

- Recirculating kit

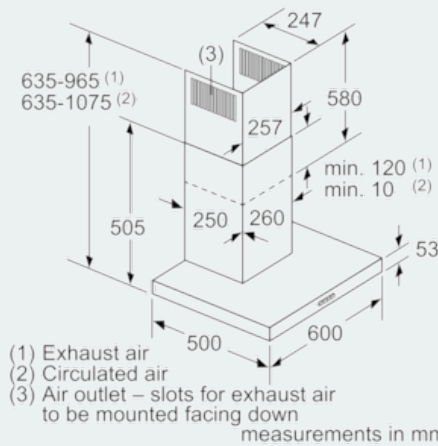
* In accordance with the EU-Regulation No 65/2014

iQ100
 LC64BBC50B
 Box design
 Chimney hood
 Stainless Steel
 60 cm

Dimensioned drawings



If a back panel is used, the design of the appliance must be considered. measurements in mm



(1) Exhaust air
 (2) Circulated air
 (3) Air outlet – slots for exhaust air to be mounted facing down
 measurements in mm

