

**iQ300**  
**LC67AFM50B**  
**Glass design**  
**Chimney hood**  
**Stainless Steel**  
**60 cm**

**B**



Glass design extractor hood with a high extraction rate.

- ✓ The powerful motor with a high extraction rate of 680 m<sup>3</sup>/h for fresh air in your kitchen.
- ✓ The energy-saving LED lighting ensures optimal visibility when cooking.
- ✓ At 67 dB the hood is especially quiet when being used.
- ✓ When required the intensive setting temporarily increases the extraction rate, with automatic revert after 6 min.
- ✓ Thanks to touchControl the power levels and the LED light can be quickly and easily selected.

### Features

#### Technical Data

Color chimney : Stainless steel  
 Typology : Chimney  
 Approval certificates : CE, VDE  
 Length of electrical supply cord (cm) : 130  
 Height of the chimney (mm) : 576-897/576-1007  
 Height of product, without chimney (mm) : 50  
 Minimum distance above an electric hob : 550  
 Minimum distance above a gas hob : 650  
 Net weight (kg) : 14.825  
 Type of control : Electronic  
 Maximum output air extraction (m<sup>3</sup>/h) : 470  
 Boost position output recirculating (m<sup>3</sup>/h) : 370  
 Maximum output recirculating air (m<sup>3</sup>/h) : 320  
 Boost position air extraction (m<sup>3</sup>/h) : 680  
 Number of lights (Stck) : 2  
 Noise level (dB(A) re 1 pW) : 67  
 Diameter of air outlet (mm) : 150 / 120  
 Grease filter material : Washable stainless steel  
 EAN code : 4242003800447  
 Connection rating (W) : 255  
 Current (A) : 10  
 Voltage (V) : 220-240  
 Frequency (Hz) : 60; 50  
 Plug type : GB plug  
 Installation type : Wall-mounted

#### Optional accessories

LZ57000	cleanAir Recirculation Kit
LZ56200	CleanAir active carbon filter spare part
LZ50661	Backboard 60 x 72 cm
LZ50660	Backboard 60 x 65 cm
LZ12350	Chimney extension 1500 mm
LZ12250	Chimney extension 1000 mm
LZ00XXP00	CleanAir act.carbon filter regenerative



**iQ300**  
**LC67AFM50B**  
**Glass design**  
**Chimney hood**  
**Stainless Steel**  
**60 cm**

#### Features

##### Key performance features:

- Energy Efficiency Class: B (at a range of energy efficiency classes from A++ to E)\*
- Extraction rate according to EN 61591 ø 15 cm:
- max. Normal use 470 m<sup>3</sup>/h
- Intensive 680 m<sup>3</sup>/h
- Noise max. Normal Level: 67 dB\*

##### Features

- touchControl for extractor speeds and light
- touchControl with Electronic display
- 3 x power levels plus intensive setting
- Twin channel high performance fan motor
- 2 x 1.5W LED
- Colour Temperature: 3500 K
- Automatic intensive revert (6mins)
- 1 x metal grease filter cassette
- Steel filter cover
- For wall mounted installation

##### Design

- Glass design
- Chimney hood
- Electronic control

##### Performance/technical information

- Suitable for ducted and re-circulating operation
- For recirculated extraction a recirculating kit or a CleanAir recirculation kit (accessory) is needed
- Max. extraction rate: 680 m<sup>3</sup>/h
- Extraction rate according to EN 61591 ø 15 cm:
- max. Normal use 470 m<sup>3</sup>/h
- Intensive 680 m<sup>3</sup>/h
- Extraction rate in recirculation mode:
- Max. normal use: 320 m<sup>3</sup>/h
- Intensive: 370 m<sup>3</sup>/h
- Noise max. Normal Level: 67 dB\*
- Noise level according to EN 60704-3 and EN 60704-2-13 exhaust air:
- Max. normal use: 67 dB(A) re 1 pW (55 dB(A) re 20 µPa sound pressure)
- Intensive: 74 dB(A) re 1 pW (62 dB(A) re 20 µPa sound pressure)
- Noise levels in recirculation mode:
- Max. normal use: 73 dB(A) re 1 pW (61 dB(A) re 20 µPa sound pressure)
- Intensive: 76 dB(A) re 1 pW (64 dB(A) re 20 µPa sound pressure)
- Power rating: 255 W
- Light Intensity: 285 lux
- Colour Temperature: 3500 K
- Electrical cable length 1.3 m
- Diameter pipe ø 150 mm (ø 120 mm enclosed)
- Dimensions exhaust air (HxWxD): 617-947 x 600 x 488 mm
- Dimensions recirculating, chimney (HxWxD): 617-1057 x 600 x 488 mm
- Dimensions recirculating with CleanAir module (HxWxD):
- 686 x 600 x 488 mm - mounting with outer chimney
- 815-1145 x 600 x 488 mm - mounting with telescopic chimney

- Energy Efficiency Class: B (at a range of energy efficiency classes from A++ to E)\*
- Blower Efficiency Class: A\*
- Lighting Efficiency Class: A\*
- Grease Filtering Efficiency Class: B\*
- Average Energy Consumption: 56.3 kWh/year\*

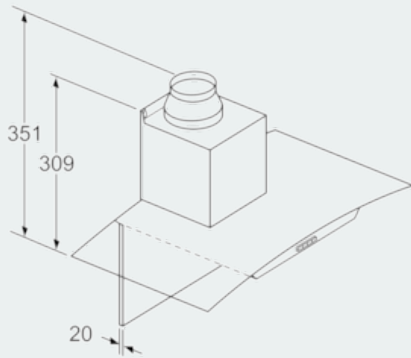
##### Optional accessories

- Recirculating kit

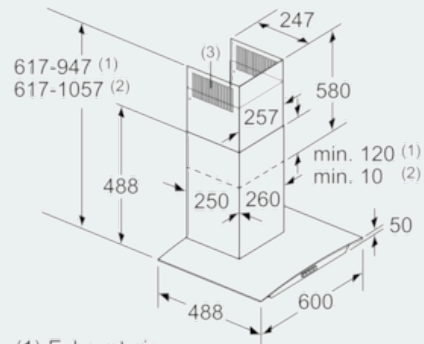
\* In accordance with the EU-Regulation No 65/2014

**iQ300**  
**LC67AFM50B**  
**Glass design**  
**Chimney hood**  
**Stainless Steel**  
**60 cm**

Dimensioned drawings



If a back panel is used, the design of the appliance must be considered. measurements in mm



(1) Exhaust air  
 (2) Circulated air  
 (3) Air outlet = slots for exhaust air to be mounted facing down  
 min. 120 (1)  
 min. 10 (2)  
 measurements in mm

