

iQ300
LC67BHM50B
Box design
Chimney hood
Stainless Steel
60 cm

B



Box design extractor hood with high extraction rate.

- ✓ The powerful motor with a high extraction rate of 720 m³/h for fresh air in your kitchen.
- ✓ The energy-saving LED lighting ensures optimal visibility when cooking.
- ✓ At 64 dB the hood is especially quiet when being used.
- ✓ When required the intensive setting temporarily increases the extraction rate, with automatic revert after 6 min.
- ✓ Thanks to touchControl the power levels and the LED light can be quickly and easily selected.

Features

Technical Data

Color chimney : Stainless steel
 Typology : Chimney
 Approval certificates : CE, VDE
 Length of electrical supply cord (cm) : 130
 Height of the chimney (mm) : 583-912/583-1022
 Height of product, without chimney (mm) : 53
 Minimum distance above an electric hob : 550
 Minimum distance above a gas hob : 650
 Net weight (kg) : 11.785
 Type of control : Electronic
 Maximum output air extraction (m³/h) : 450
 Boost position output recirculating (m³/h) : 370
 Maximum output recirculating air (m³/h) : 310
 Boost position air extraction (m³/h) : 720
 Number of lights (Stck) : 2
 Noise level (dB(A) re 1 pW) : 64
 Diameter of air outlet (mm) : 150 / 120
 Grease filter material : Washable stainless steel
 EAN code : 4242003811115
 Connection rating (W) : 255
 Current (A) : 10
 Voltage (V) : 220-240
 Frequency (Hz) : 60; 50
 Plug type : GB plug
 Installation type : Wall-mounted

Optional accessories

LZ57000	cleanAir Recirculation Kit
LZ56200	CleanAir active carbon filter spare part
LZ50661	Backboard 60 x 72 cm
LZ50660	Backboard 60 x 65 cm
LZ12350	Chimney extension 1500 mm
LZ12250	Chimney extension 1000 mm
LZ00XP00	CleanAir act.carbon filter regenerative



iQ300
LC67BHM50B
Box design
Chimney hood
Stainless Steel
60 cm

Features

Key performance features:

- Energy Efficiency Class: B (at a range of energy efficiency classes from A++ to E)*
- Extraction rate according to EN 61591 ø 15 cm:
- max. Normal use 450 m³/h
- Intensive 720 m³/h
- Noise max. Normal Level: 64 dB*

Features

- touchControl for extractor speeds and light
- touchControl with Electronic display
- 3 x power levels plus intensive setting
- Twin channel high performance fan motor
- 2 x 1.5W LED
- Colour Temperature: 3500 K
- Automatic intensive revert (6mins)
- 2 x metal grease filter cassettes
- Steel filter cover
- For wall mounted installation

Design

- Box design
- Chimney hood
- Electronic control

Performance/technical information

- Suitable for ducted and re-circulating operation
- For recirculated extraction a recirculating kit or a CleanAir recirculation kit (accessory) is needed
- Max. extraction rate: 720 m³/h
- Extraction rate according to EN 61591 ø 15 cm:
- max. Normal use 450 m³/h
- Intensive 720 m³/h
- Extraction rate in recirculation mode:
- Max. normal use: 310 m³/h
- Intensive: 370 m³/h
- Noise max. Normal Level: 64 dB*
- Noise level according to EN 60704-3 and EN 60704-2-13 exhaust air:
- Max. normal use: 64 dB(A) re 1 pW (52 dB(A) re 20 µPa sound pressure)
- Intensive: 73 dB(A) re 1 pW (61 dB(A) re 20 µPa sound pressure)
- Noise levels in recirculation mode:
- Max. normal use: 73 dB(A) re 1 pW (61 dB(A) re 20 µPa sound pressure)
- Intensive: 76 dB(A) re 1 pW (64 dB(A) re 20 µPa sound pressure)
- Power rating: 255 W
- Light Intensity: 250 lux
- Colour Temperature: 3500 K
- Electrical cable length 1.3 m
- Diameter pipe ø 150 mm (ø 120 mm enclosed)
- Dimensions exhaust air (HxWxD): 635-965 x 600 x 500 mm
- Dimensions recirculating, chimney (HxWxD): 635-1075 x 600 x 500 mm
- Dimensions recirculating with CleanAir module (HxWxD):
- 703 x 600 x 500 mm - mounting with outer chimney
- 833-1163 x 600 x 500 mm - mounting with telescopic chimney

- Energy Efficiency Class: B (at a range of energy efficiency classes from A++ to E)*
- Blower Efficiency Class: A*
- Lighting Efficiency Class: A*
- Grease Filtering Efficiency Class: B*
- Average Energy Consumption: 58.1 kWh/year*

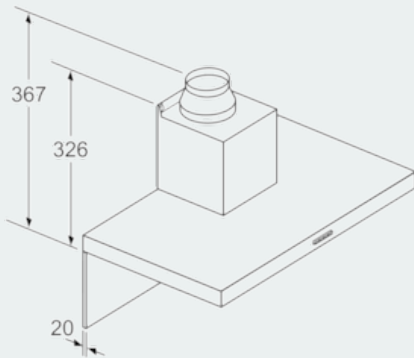
Optional accessories

- Recirculating kit

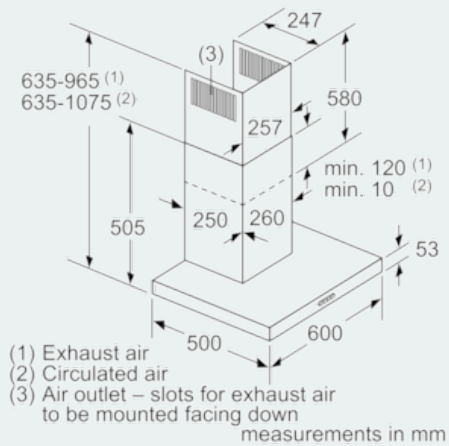
* In accordance with the EU-Regulation No 65/2014

iQ300
LC67BHM50B
Box design
Chimney hood
Stainless Steel
60 cm

Dimensioned drawings



If a back panel is used, the design of the appliance must be considered. measurements in mm



(1) Exhaust air
 (2) Circulated air
 (3) Air outlet – slots for exhaust air to be mounted facing down
 measurements in mm

