

iQ100
LC94BBC50B
Box design
Chimney hood
Stainless Steel
90 cm



Box design extractor hood with high extraction rate.

- ✓ The motor with a high extraction rate of 330 m³/h for fresh air in your kitchen.
- ✓ The energy-saving LED lighting ensures optimal visibility when cooking.
- ✓ At 64 dB the hood is especially quiet when being used.

Features

Technical Data

Color chimney : Stainless steel
 Typology : Chimney
 Approval certificates : CE, G-Mark, VDE
 Length of electrical supply cord (cm) : 130
 Height of the chimney (mm) : 583-912/583-1022
 Height of product, without chimney (mm) : 53
 Minimum distance above an electric hob : 550
 Minimum distance above a gas hob : 650
 Net weight (kg) : 12.227
 Type of control : mechanical
 Number of speed settings : 3
 Maximum output air extraction (m³/h) : 330
 Maximum output recirculating air (m³/h) : 180
 Number of lights (Stck) : 2
 Noise level (dB(A) re 1 pW) : 64
 Diameter of air outlet (mm) : 150 / 120
 Grease filter material : Washable aluminium
 EAN code : 4242003811184
 Connection rating (W) : 100
 Current (A) : 10
 Voltage (V) : 220-240
 Frequency (Hz) : 50; 60
 Plug type : GB plug
 Installation type : Wall-mounted



Optional accessories

LZ57000	cleanAir Recirculation Kit
LZ56200	CleanAir active carbon filter spare part
LZ50961	Backboard 90 x 72 cm
LZ50960	Backboard 90x65cm
LZ12350	Chimney extension 1500 mm
LZ12250	Chimney extension 1000 mm
LZ00XXP00	CleanAir act.carbon filter regenerative

iQ100
LC94BBC50B
Box design
Chimney hood
Stainless Steel
90 cm

Features

Key performance features:

- Energy Efficiency Class: D (at a range of energy efficiency classes from A++ to E)*
- Max. extraction rate: 330 m³/h
- Noise max. Normal Level: 64 dB*

Features

- Push button control for extractor speeds and light
- 3 x power levels
- Twin channel high performance fan motor
- 2 x 1.5W LED
- Colour Temperature: 3500 K
- 3 x metal grease filter cassettes - dishwasher safe
- For wall mounted installation

Design

- Box design
- Chimney hood
- Mechanical

Performance/technical information

- Suitable for ducted and re-circulating operation
- For recirculated extraction a recirculating kit or a CleanAir recirculation kit (accessory) is needed
- Max. extraction rate: 330 m³/h
- Maximum extraction rate exhaust air 330 m³/h according to EN 61591
- Extraction rate in recirculation mode:
 - Max. normal use: 180 m³/h
 - Noise max. Normal Level: 64 dB*
 - Noise level according to EN 60704-3 and EN 60704-2-13 at max. normal use exhaust air: 64 dB(A) re 1 pW (52 dB(A) re 20 μPa sound pressure)
 - Noise level in recirculation mode:
 - Max. normal use: 66 dB(A) re 1 pW (54 dB(A) re 20 μPa sound pressure)
- Power rating: 100 W
- Light Intensity: 90 lux
- Colour Temperature: 3500 K
- Electrical cable length 1.3 m
- Diameter pipe Ø 150 mm (Ø 120 mm enclosed)
- Dimensions exhaust air (HxWxD): 635-965 x 900 x 500 mm
- Dimensions recirculating, chimney (HxWxD): 635-1075 x 900 x 500 mm
- Dimensions recirculating with CleanAir module (HxWxD):
 - 703 x 900 x 500 mm - mounting with outer chimney
 - 833-1163 x 900 x 500 mm - mounting with telescopic chimney
- Energy Efficiency Class: D (at a range of energy efficiency classes from A++ to E)*
- Blower Efficiency Class: E*
- Lighting Efficiency Class: A*
- Grease Filtering Efficiency Class: D*
- Average Energy Consumption: 53.4 kWh/year*

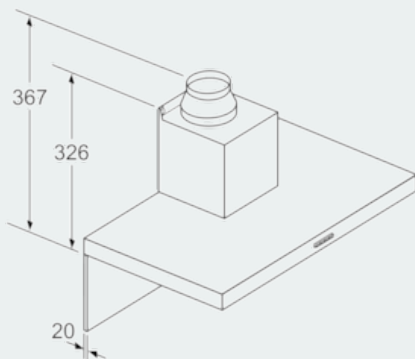
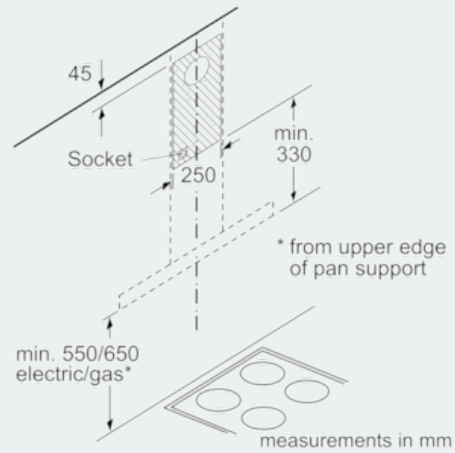
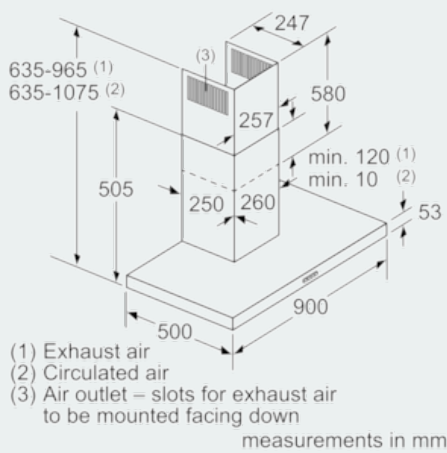
Optional accessories

- Recirculating kit

* In accordance with the EU-Regulation No 65/2014

iQ100
LC94BBC50B
Box design
Chimney hood
Stainless Steel
90 cm

Dimensioned drawings



If a back panel is used, the design of the appliance must be considered.

measurements in mm

