

iQ300
LC97QFM50B
Slim pyramid
Chimney hood
Stainless Steel
90 cm

A



Pyramid design extractor hood with a high extraction rate.

- ✓ The powerful motor with a high extraction rate of 740 m³/h for fresh air in your kitchen.
- ✓ The energy-saving LED lighting ensures optimal visibility when cooking.
- ✓ At 64 dB the hood is especially quiet when being used.
- ✓ When required the intensive setting temporarily increases the extraction rate, with automatic revert after 6 min.
- ✓ Thanks to touchControl the power levels and the LED light can be quickly and easily selected.

Features

Technical Data

Color chimney : Stainless steel
 Typology : Chimney
 Approval certificates : CE, VDE
 Length of electrical supply cord (cm) : 130
 Height of the chimney (mm) : 582-912/582-1022
 Height of product, without chimney (mm) : 94
 Minimum distance above an electric hob : 550
 Minimum distance above a gas hob : 650
 Net weight (kg) : 12.430
 Type of control : Electronic
 Maximum output air extraction (m³/h) : 460
 Boost position output recirculating (m³/h) : 390
 Maximum output recirculating air (m³/h) : 340
 Boost position air extraction (m³/h) : 740
 Number of lights (Stck) : 2
 Noise level (dB(A) re 1 pW) : 64
 Diameter of air outlet (mm) : 120 / 150
 Grease filter material : Washable stainless steel
 EAN code : 4242003811283
 Connection rating (W) : 255
 Current (A) : 10
 Voltage (V) : 220-240
 Frequency (Hz) : 50; 60
 Plug type : GB plug
 Installation type : Wall-mounted

Optional accessories

LZ57000	cleanAir Recirculation Kit
LZ56200	CleanAir active carbon filter spare part
LZ50961	Backboard 90 x 72 cm
LZ50960	Backboard 90x65cm
LZ12350	Chimney extension 1500 mm
LZ12250	Chimney extension 1000 mm
LZ00XP00	CleanAir act.carbon filter regenerative



iQ300
LC97QFM50B
Slim pyramid
Chimney hood
Stainless Steel
90 cm

Features

Key performance features:

- Energy Efficiency Class: A (at a range of energy efficiency classes from A++ to E)*
- Extraction rate according to EN 61591 ø 15 cm:
- max. Normal use 460 m³/h
- Intensive 740 m³/h
- Noise max. Normal Level: 64 dB*

Features

- touchControl for extractor speeds and light
- touchControl with Electronic display
- 3 x power levels plus intensive setting
- Twin channel high performance fan motor
- 2 x 1.5W LED
- Colour Temperature: 3500 K
- Automatic intensive revert (6mins)
- 3 x metal grease filter cassettes - dishwasher safe
- Steel filter cover
- For wall mounted installation

Design

- Slim pyramid
- Chimney hood
- Electronic control

Performance/technical information

- Suitable for ducted and re-circulating operation
- For recirculated extraction a recirculating kit or a CleanAir recirculation kit (accessory) is needed
- Max. extraction rate: 740 m³/h
- Extraction rate according to EN 61591 ø 15 cm:
- max. Normal use 460 m³/h
- Intensive 740 m³/h
- Extraction rate in recirculation mode:
- Max. normal use: 340 m³/h
- Intensive: 390 m³/h
- Noise max. Normal Level: 64 dB*
- Noise level according to EN 60704-3 and EN 60704-2-13 exhaust air:
- Max. normal use: 64 dB(A) re 1 pW (52 dB(A) re 20 µPa sound pressure)
- Intensive: 73 dB(A) re 1 pW (61 dB(A) re 20 µPa sound pressure)
- Noise levels in recirculation mode:
- Max. normal use: 74 dB(A) re 1 pW (62 dB(A) re 20 µPa sound pressure)
- Intensive: 77 dB(A) re 1 pW (65 dB(A) re 20 µPa sound pressure)
- Power rating: 255 W
- Light Intensity: 221 lux
- Colour Temperature: 3500 K
- Electrical cable length 1.3 m
- Diameter pipe ø 150 mm (ø 120 mm enclosed)
- Dimensions exhaust air (HxWxD): 676-1006 x 900 x 500 mm
- Dimensions recirculating, chimney (HxWxD): 676-1116 x 900 x 500 mm
- Dimensions recirculating with CleanAir module (HxWxD):
- 744 x 900 x 500 mm - mounting with outer chimney
- 874-1204 x 900 x 500 mm - mounting with telescopic chimney

- Energy Efficiency Class: A (at a range of energy efficiency classes from A++ to E)*
- Blower Efficiency Class: A*
- Lighting Efficiency Class: A*
- Grease Filtering Efficiency Class: B*
- Average Energy Consumption: 53.9 kWh/year*

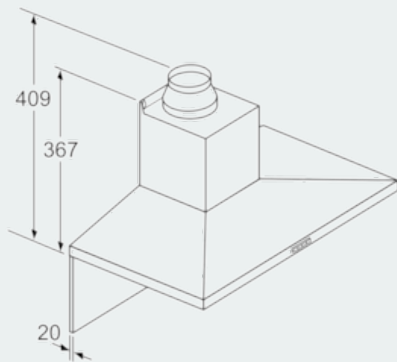
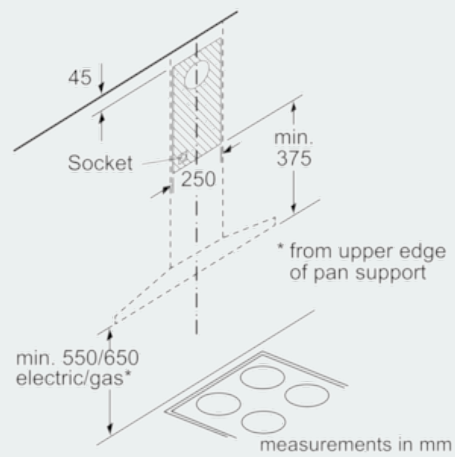
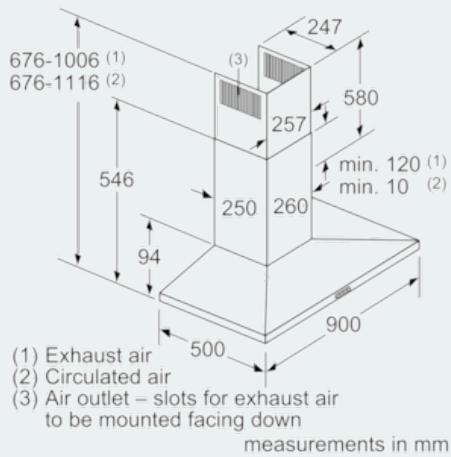
Optional accessories

- Recirculating kit

* In accordance with the EU-Regulation No 65/2014

iQ300
LC97QFM50B
Slim pyramid
Chimney hood
Stainless Steel
90 cm

Dimensioned drawings



If a back panel is used, the design of the appliance must be considered.

measurements in mm

